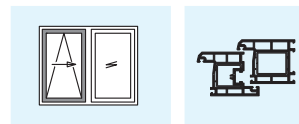


PSK PORTAL 200-Z PLUS



Parallel tilt - slide fittings with positive control
for PVCu elements with 12 mm air gap

... with these decisive advantages:

- quick fitting of the cover rails (dimensional tolerance adjustment)
- total sash to frame clearance 125 mm
- simple rational fitting
- functional and rational jig system
- components with pre-assembled striker plates for slave sash elements

Size range

Sash rebate width	(mm)	770 to 2000 ¹⁾
Sash rebate height with diagram A, G and K	(mm)	1000 to 2360
Sash rebate height with diagram C	(mm)	1690 to 2360
Outside frame width	(mm)	derive from the sash rebate width dependent on the profile system, max. 4260 with diagram A
Sash weight	(kg)	max. 200
Pin size	(mm)	30, 40 and 45
for lockable gear	(mm)	25 to 50
Handle location, constant	(mm)	490 - 990 ²⁾
Total location width	(mm)	125

1) For sash rebate widths < 944 mm the sash rebate height must not exceed 2.5 times the sash rebate width.

2) By shortening the gear, the handle position on gears OS Size 169 to Size 238 can be offset downwards by 100 mm, with the sash rebate height reducing by 100 mm. If necessary, this can be compensated for by installing the linkage Size 23.

The size ranges specified above must never be exceeded.

The details given by the profile manufacturer and/or the system owner also apply to the SIEGENIA PSK PORTAL 200-Z PLUS KF hardware, **particularly** on possible restrictions on the sash dimensions, sash weight and locking distance.

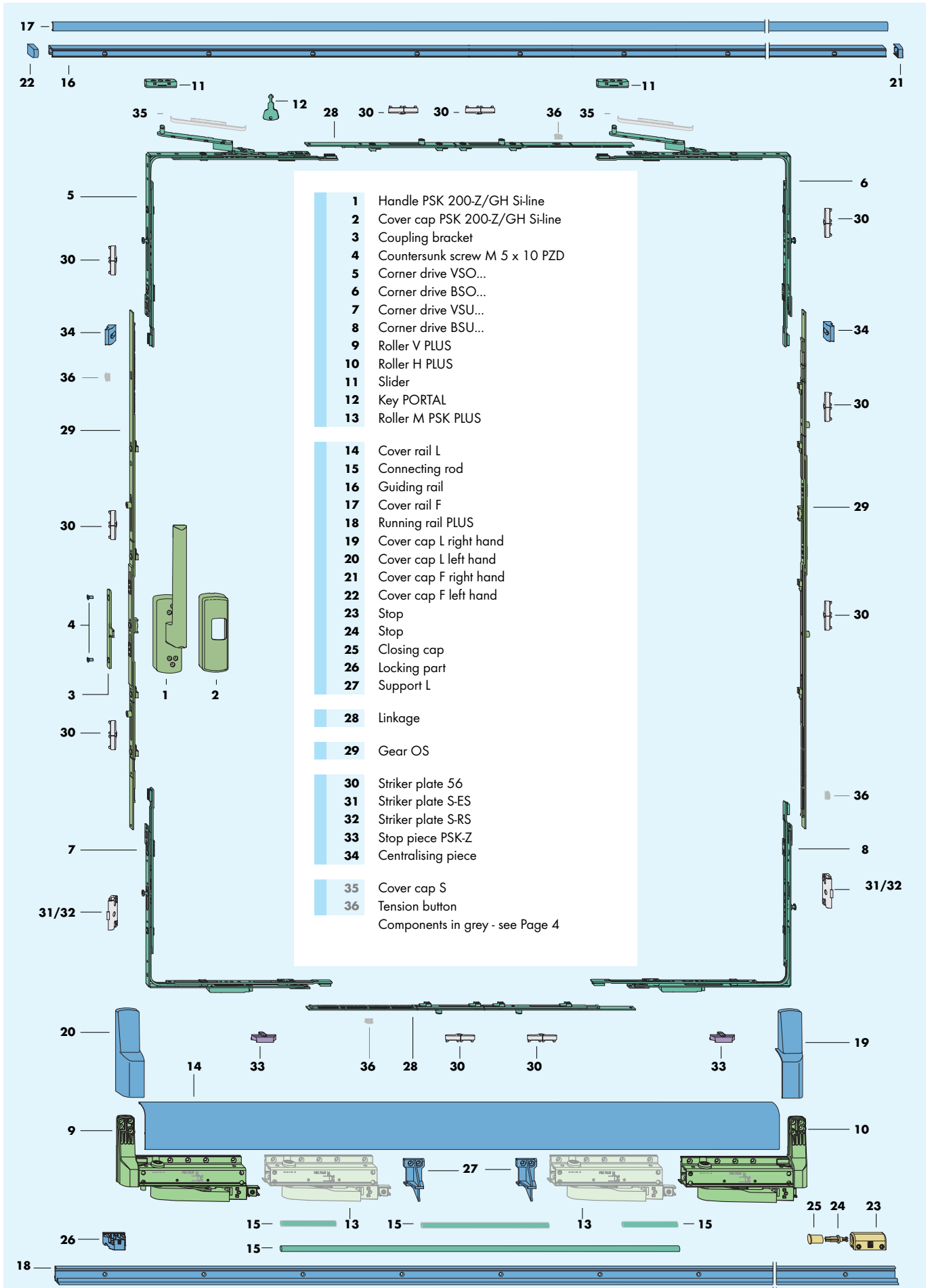
Where special manufacturing regulations or working guidelines exist, they must be explicitly complied with.

Contents

Size range	Page 1	Vertical section, top	Page 11
Hardware components	Page 2	Horizontal section (I)	Page 12
Hardware list	Page 3	Horizontal section (II)	Page 13
Hardware list (continued)	Page 4	Frame - Frame part dimensional details	Page 14
Important notes, abbreviations	Page 5	Frame - Assembly of running and guiding rails	Page 15
Design variants	Page 6	Vertical section, bottom	Page 16
Gear-set PSK 200-Z PZ.. Hardware list	Page 7	Preparing the sash frame	Page 17
Diagram C Variant 1	Page 8	Sash frame: Assembly ZV	Page 18
Diagram C Variant 2	Page 9	Sash frame - Assembly of the PSK components	Page 19
Hardware list Diagram C	Page 10	Inserting the sliding sash and diagram overview	Page 20

Assembly Instructions
 H48.PSKKFS001EN-02

PSK PORTAL 200-Z PLUS Hardware components



PSK PORTAL 200-Z PLUS Hardware list

Item	Pce.	Materialshorttext	Materialnumber			
			si-silver	RAL 9003 white	RAL 8022 brown	
	1	Handle pack PSK 200-Z/GH Si-line consisting of:	right hand left hand	296257 296301	296271 296325	297797 297803
1	1	Handle PSK 200-Z/GH Si-line	right hand/left hand			
2	1	Cover cap PSK 200-Z/GH Si-line	right hand/left hand			
		Corner drive PSK 200-Z 9NA S-ES (mushroom cam)	9 mm groove axis right hand left hand	4	PMEL0041-100010 PMEL0042-100010	
		Corner drive PSK 200-Z 9NA S-RS (comfort mushroom cam)	9 mm groove axis right hand left hand	4	PMEL0021-100010 PMEL0022-100010	
		Corner drive PSK 200-Z 13NA S-ES (mushroom cam)	13 mm groove axis right hand left hand	4	PMEL0031-100010 PMEL0032-100010	
	1	Corner drive PSK 200-Z 13 NA S-RS (comfort mushroom cam) consisting of:	13 mm groove axis right hand left hand	4	PMEL0011-100010 PMEL0012-100010	
3	1	Coupling bracket	18 or 18/2			
4	2	Countersunk screw	M 5 x 10 PZD			
5	1	Corner drive VSO...	right hand/left hand			
6	1	Corner drive BSO...	right hand/left hand			
7	1	Corner drive VSU...	right hand/left hand			
8	1	Corner drive BSU...	right hand/left hand			
	1	Roller PSK PLUS consisting of:	right hand left hand		PMKJ0031-100010 PMKJ0032-100010	
9	1	Roller V PLUS	right hand/left hand	front		
10	1	Roller H PLUS	right hand/left hand	rear		
	1	Bag of accessories PSK-PORTAL consisting of:				PMZJ0030-000010
11	2	Slider				
12	1	Key PORTAL				
13	0...1	Roller M PSK PLUS	right hand centre left hand centre			PLWL0031-100020 PLWL0032-100020

		Profile set PSK 200/160	Size ²⁾			FFB (in mm)			RAB (in mm)			
			87/200	107/240	130/286	770	870	2000	770	870	2000	
	1	consisting of:	Size 160/346	1301	1600	2861	3460	1601	2000	3461	4260	
14	1	Cover rail L										
15	1	Connecting rod										
16	1	Guiding rail										
17	1	Cover rail F										
18	1	Running rail PLUS										
	1	Bag of cover caps PSK										
19	1	Cover cap L	right hand							891186	891193	891216
20	1	Cover cap L	left hand									
21	1	Cover cap F	right hand									
22	1	Cover cap F	left hand									
	1	Bag of running rail acc.: PSK								PMZJ0050-100010	PMZJ0050-100010	PMZJ0050-012010
23	1	Stop										
24	1	Stop										
25	1	Closing cap										
26	1	Locking part										
27	1...2	Support L	2 off from Size 130									

		Linkage	Size	FFB (in mm)				
				loose drive rod and face plate	770			850
28	2	Linkage (with standard locking cams)	100	851	1000	1	-	
			123	1001	1230	1	713914	
			146	1231	1460	2	713921	
			169	1461	1690	2	713938	
			169/2	1461	1690	1	PZKL0240-100010	
			192	1691	1920	2	713945	
			192	1691	1920	2	713952	
			215	1921	2000	2	713969	
			Linkage S-ES (with mushroom cams)	100	851	1000	1	-
		123		1001	1230	1	713839	
		146		1231	1460	2	713846	
		169		1461	1690	2	713853	
		192		1691	1920	2	713860	
		192		1691	1920	2	713877	
		215		1921	2000	2	713884	
		Linkage S-RS (with comfort mushroom cams)		100	851	1000	1	-
				123	1001	1230	1	PZKL0270-100010
			146	1231	1460	2	PZKL0280-100010	
169	1461		1690	2	PZKL0290-100010			
169/2	1461		1690	1	PZKL0300-100010			
192	1691		1920	2	PZKL0310-100010			
192	1691		1920	2	PZKL0320-100010			
215	1921		2000	2	PZKL0330-100010			

PSK PORTAL 200-Z PLUS Hardware list (continued)

Item	Pce.	Materialshorttext	Materialnumber			
			si-silver	RAL 9003 white	RAL 8022 brown	
dependent on FFH	29	Gear OS (with standard locking cams)	Size	Handle location (in mm)	FFH (in mm)	
			123	490	1000 to 1230	-
			146	590	1231 to 1460	1
			169	690	1461 to 1690	1
			192	990	1691 to 1920	2
			215	990	1921 to 2150	2
		238	990	2151 to 2360	2	
		Gear OS S-E5 (with mushroom cams)	146	590	1231 to 1460	1
			169	690	1461 to 1690	1
			192	990	1691 to 1920	2
			215	990	1921 to 2150	2
			238	990	2151 to 2360	2
			Gear OS S-R5 (with comfort mushroom cams)	146	590	1231 to 1460
		169		690	1461 to 1690	1
		192		990	1691 to 1920	2
215	990	1921 to 2150		2		
238	990	2151 to 2360		2		
					713303	
					713297	
					713341	
					713815	
					713358	
					713334	
					713761	
					713778	
					713785	
					713792	
					713808	
					PGKL0130-100030	
					PGKL0140-100010	
					PGKL0150-100010	
					PGKL0160-100010	
					PGKL0170-100010	
dep. on Profile sys.	30	Striker plate S6 (for standard locking cams)	A...			see Profile Data Sheet
	31	Striker plate S-E5 (for mushroom cams)	A...			see Profile Data Sheet
	32	Striker plate S-R5 (for comfort mushroom cams)	A...			see Profile Data Sheet
	1	bag of frame parts PSK 200-Z consisting of:	A...			see Profile Data Sheet
	33	2	Stop piece PSK-Z	A...		
34	2	Centralising piece	A...			

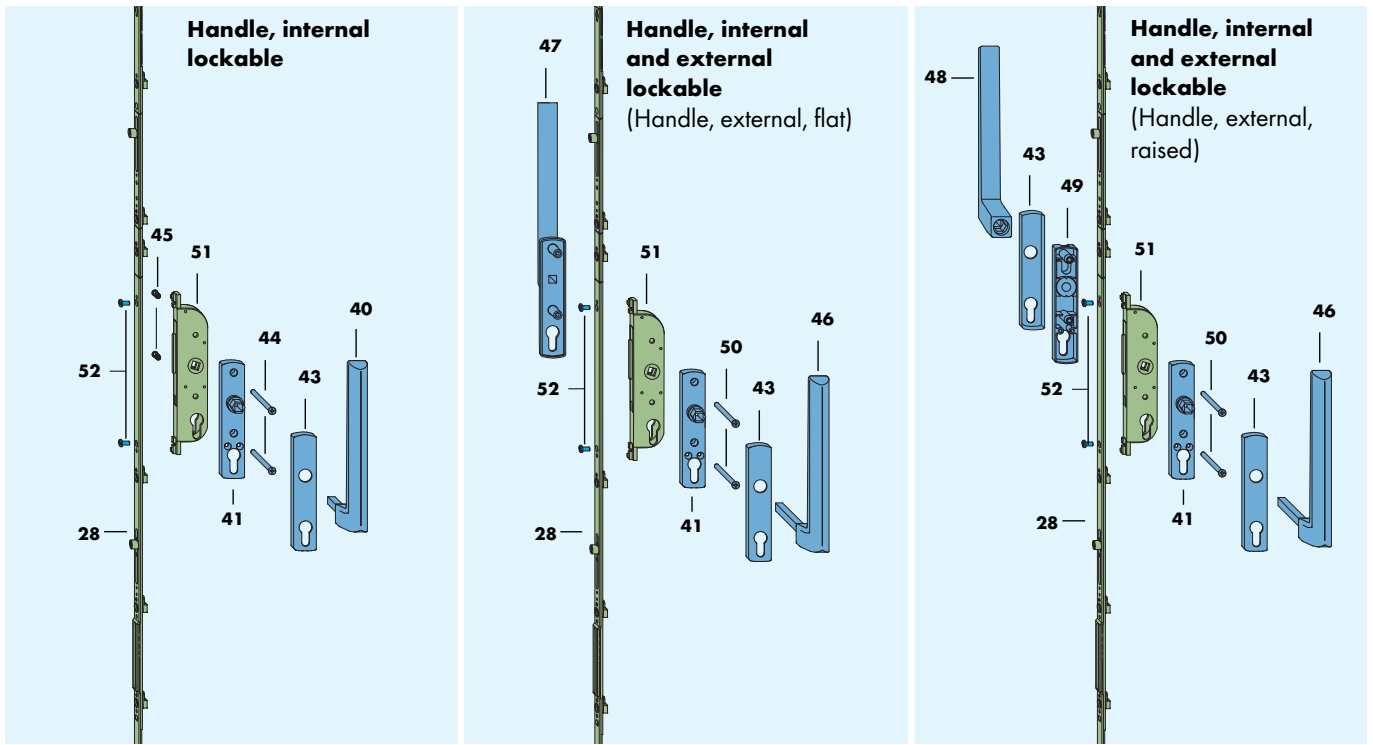
- 1) Required with sash weight of > 160 kg, a minimum sash width of > 935 mm is required with this
- 2) For precise definition of the required size determine the dimensions of FFH and RAB

The colours silver, white and brown are illustrated in the installation instructions. For other available colours, please refer to the PORTAL Product Catalogue.

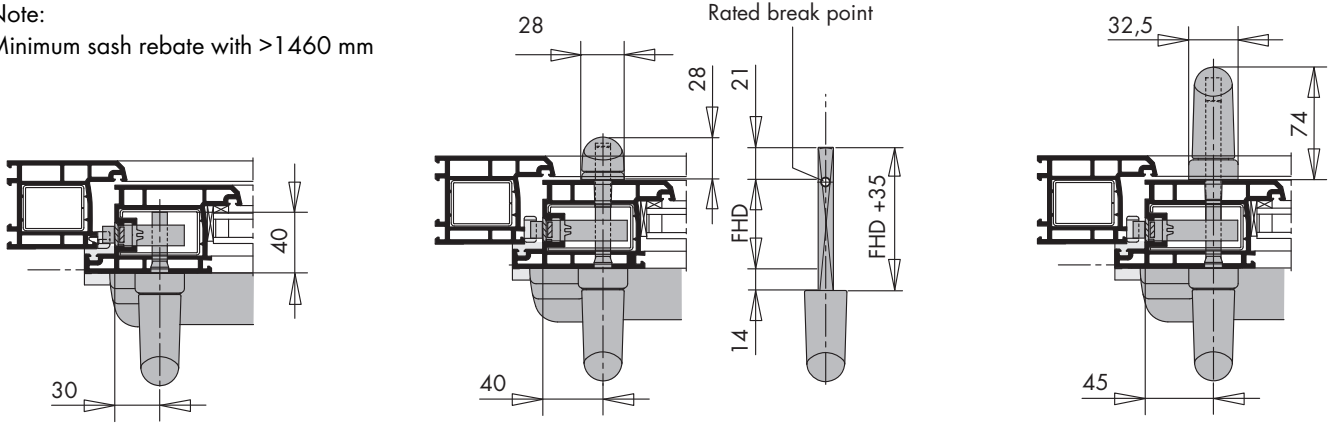
Accessories

Item	Pce.	Materialshorttext	Materialnumber				
			si-silver	RAL 9003 white	RAL 8022 brown		
accessories	35	Cover cap S		PKAL0010-025010	PKAL0010-002010	PKAL0010-012010	
	0...1	Handle pack PSK 200-Z/GH Si-line lockable consisting of:	right hand	296356	296370	298510	
			left hand	296400	296424	298527	
			Handle PSK 200Z/GH Si-line	right hand			
				left hand			
			Cover cap PSK 200Z/GH Si-line	right hand			
				left hand			
			Bag of acc. Handle PSK 200-Z/GH consisting of:				
			Coupling bracket	18			
			Countersunk screw	M 5 x 10 PZD			
	0...4	Linkage	Size 23	(for max. FFH with the handle height red. by 100 mm)	-	1	
		Linkage S-E5	Size 23	(and also as an additional centre lock)	-	1	
	0...1	Linkage-UE	Size 23	(Please refer to the price list for the electronic monitoring magnet switch)	-	-	
	0...1	Combi-jig EB 643-3/-7				158036	
36	4	Tension button				702543	

PSK PORTAL 200-Z PLUS *PLUS* Design variants



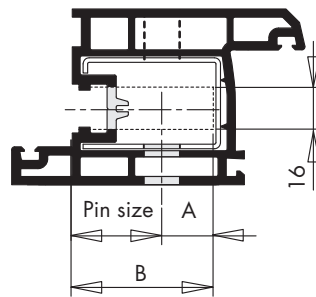
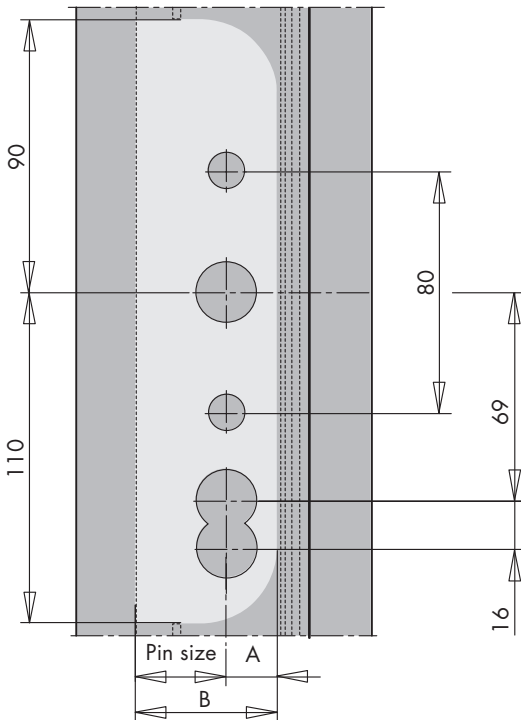
Note:
Minimum sash rebate with >1460 mm



Gear cylinder recess

- Ø 12 mm
- Ø 20 mm with HSS Bi-Metal router.

Sash rebate width min. 1460 mm



Dimensions for gear			
	Pin size	A	B
PZ-30	30	16	46
PZ-40	40	16	56
PZ-45	45	16	61
PZ-50	50	16	66

PSK PORTAL 200-Z PLUS Gear-set PSK 200-Z PZ.. Hardware list

For the complete set components of the hardware list Page 3 and 4 are also needed.

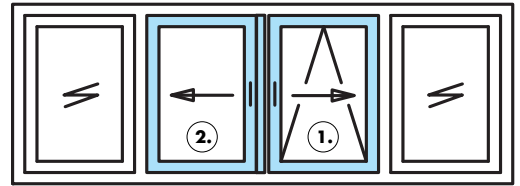
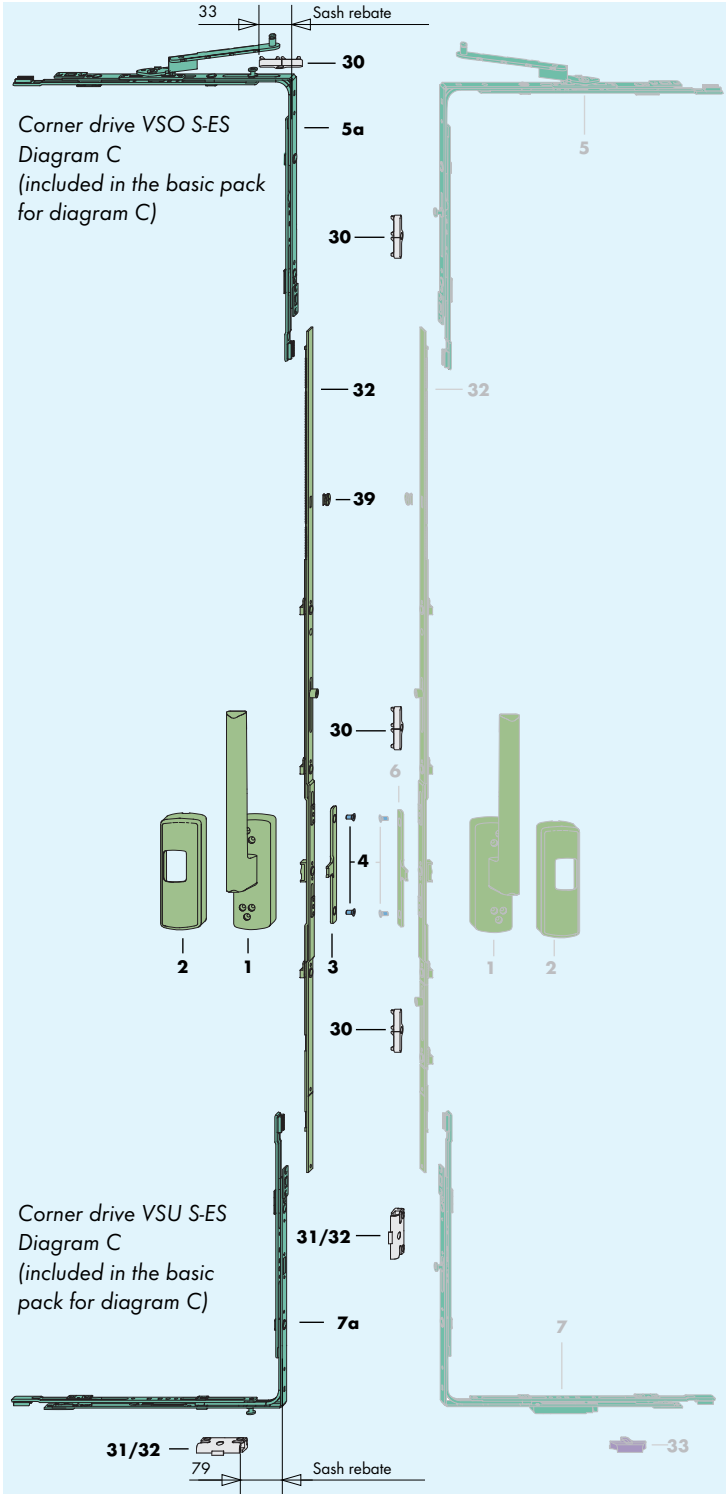
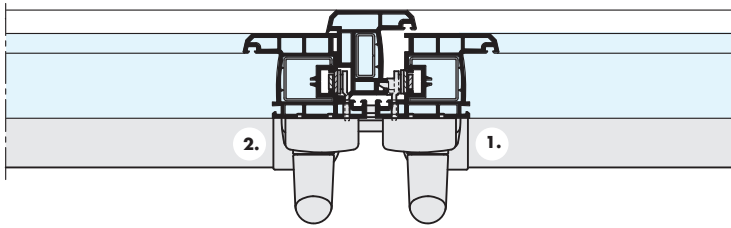
Item.	Pce.	Materialshorttext	Materialnumber			
			si-silver	RAL 9003 white	RAL 8022 brown	
internally lockable	0...1	Handle pack Si-line HSK 250 inner <i>consisting of:</i>	PMHC0010-524010	PMHC0010-502010	PMHC0010-512010	
	40	1	Handle Si-line HSK 250 PZ innen			
	41	1	Rose Si-line inner			
	42	- 1)	Cover cap Si-line HS 300 without PZ-perforation			
		- 1)	Sliding grip			
	43	1	Cover cap Si-line HS 300 PZ for Handle Si-line HSK 250	PKHB0040-5G0010	PKHB0040-502010	PKHB0040-512010
44	2	Countersunk screw M5x40		211076		
45	2	Sleeve nut is inserted in hole in gear box		800287		
internally and externally lockable	0...1	Handle pack Si-line HSK 250/PSK 200-Z PZ inner <i>(only in conjunction with handel Si-line PZ outer or PZ outer flat consisting of:</i>	PMHC0020-5G0010	PMHC0020-502010	PMHC0020-512010	
	40	1	Handel pack Si-line HSK 250 PZ inner			
	41		Rose Si-line inner			
	43	1	Cover cap Si-line PZ HS 300 with PZ perforation			
	47	0...1	Handle Si-line PSK 200-Z PZ outer flat	PHAL0010-5G0010	PHAL0010-502010	PHAL0010-512010
	0...1	Handle pack Si-line HS 250 PZ outer raised <i>(only in conjunction with handel Si-line PZ inner consisting of:</i>	PMHB0040-5G0010	PMHB0040-502010	PMHB0040-512010	
48	1	Hebel Si-line HSK 250 PZ outer				
49		Rose Si-line outer				
43	1	Cover cap Si-line PZ HS 300 with PZ perforation				
50	2	Countersunk screw M5x65 Sash Profile thickness 55 - 64 mm Countersunk screw M5x75 Sash Profile thickness 65 - 74 mm Countersunk screw M5x85 Sash Profile thickness 75 - 85 mm		KDNA0080-100010 KDNA0100-100010 KDNA0120-100010		
Gear combinations	1	Gear Set PSK 200-Z PZ-30 PZ-40 PZ-45 PZ-50 <i>consisting of:</i>		716335 716342 716359 720691		
	51	1	Gear box PZ-30 PZ-40 PZ-45 PZ-50			
	52	2	Screw M5 x 10 DIN 7500			
	31	1	Linkage Size Handle location (in mm) FFH (in mm)	169/2 690 1461 to 1690	1	PZKL0240-100010
				192 990 1691 to 1920	2	713952
				215 990 1921 to 2150	2	713969
238 990 2151 to 2360				2	713976	
1		Linkage SES <i>(Mushroom locking cam)</i>	169/2 690 1461 to 1690	-	-	
			192 990 1691 to 1920	2	713877	
			215 990 1921 to 2150	2	713884	
			238 990 2151 to 2360	2	713891	
1		Linkage SRS <i>(Comfort mushroom locking cam)</i>	169/2 690 1461 to 1690	1	PZKL0310-100010	
			192 990 1691 to 1920	2	PZKL0320-100010	
			215 990 1921 to 2150	2	PZKL0330-100010	
			238 990 2151 to 2360	2	PZKL0340-100010	

1) Actual requirements Delivery Specification includes further parts

PSK PORTAL 200-Z PLUS Diagram C Variant 1

Diagram C, Variant 1

with screwed on slave Profile and 2 gear handles PSK 200-Z



2 Sliding sashes / 2 fixed sashes

Note:

First and second sash must be suitably identified to avoid incorrect operation.

The sliding sashes must **only** be operated in the sequence stated!

- | | | |
|----------|-----------------------|-----------|
| Opening: | first the first sash | 1. |
| | then the second sash | 2. |
| Closing: | first the second sash | 2. |
| | then the first sash | 1. |

Diagram C, Variant 2a
with screwed on slave profile and
operating handle in the rebate

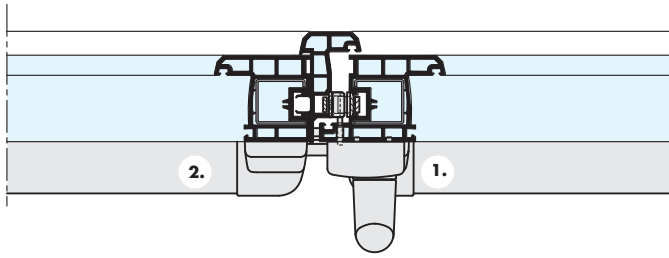
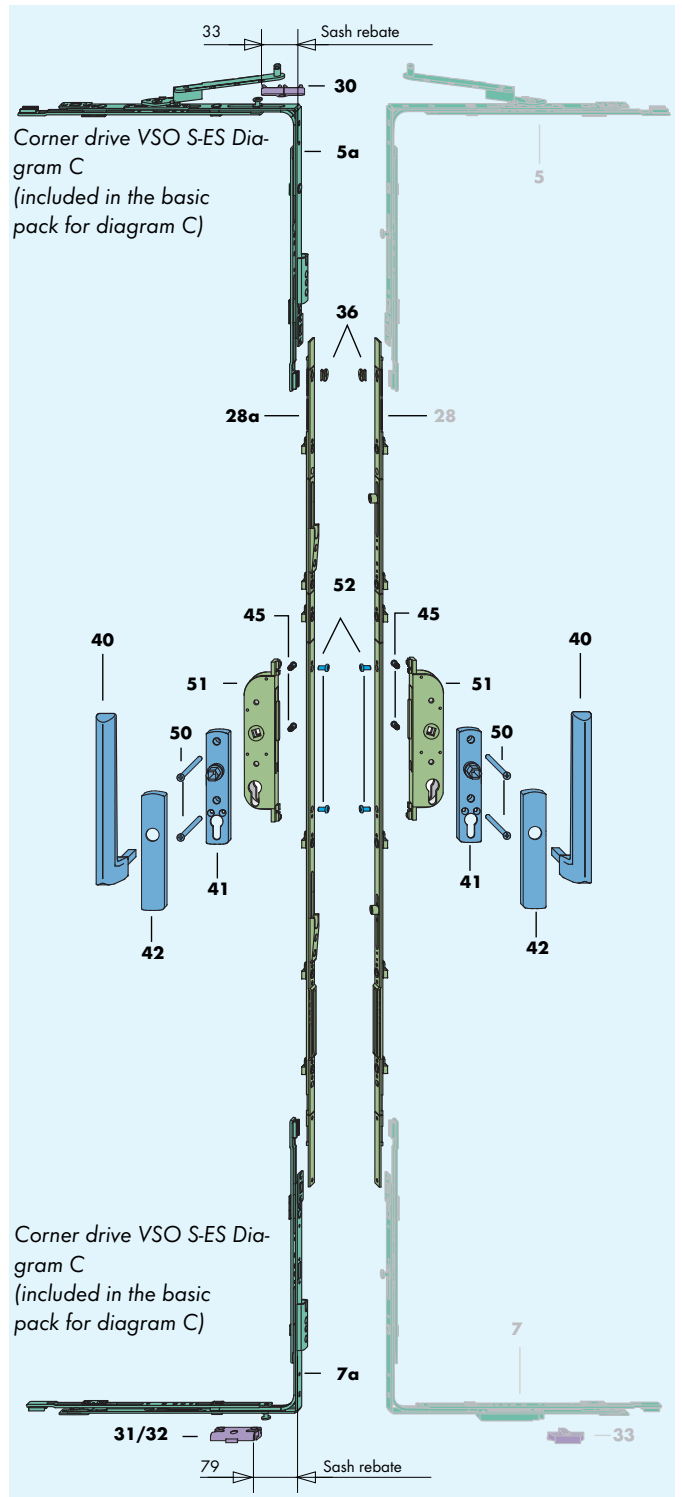
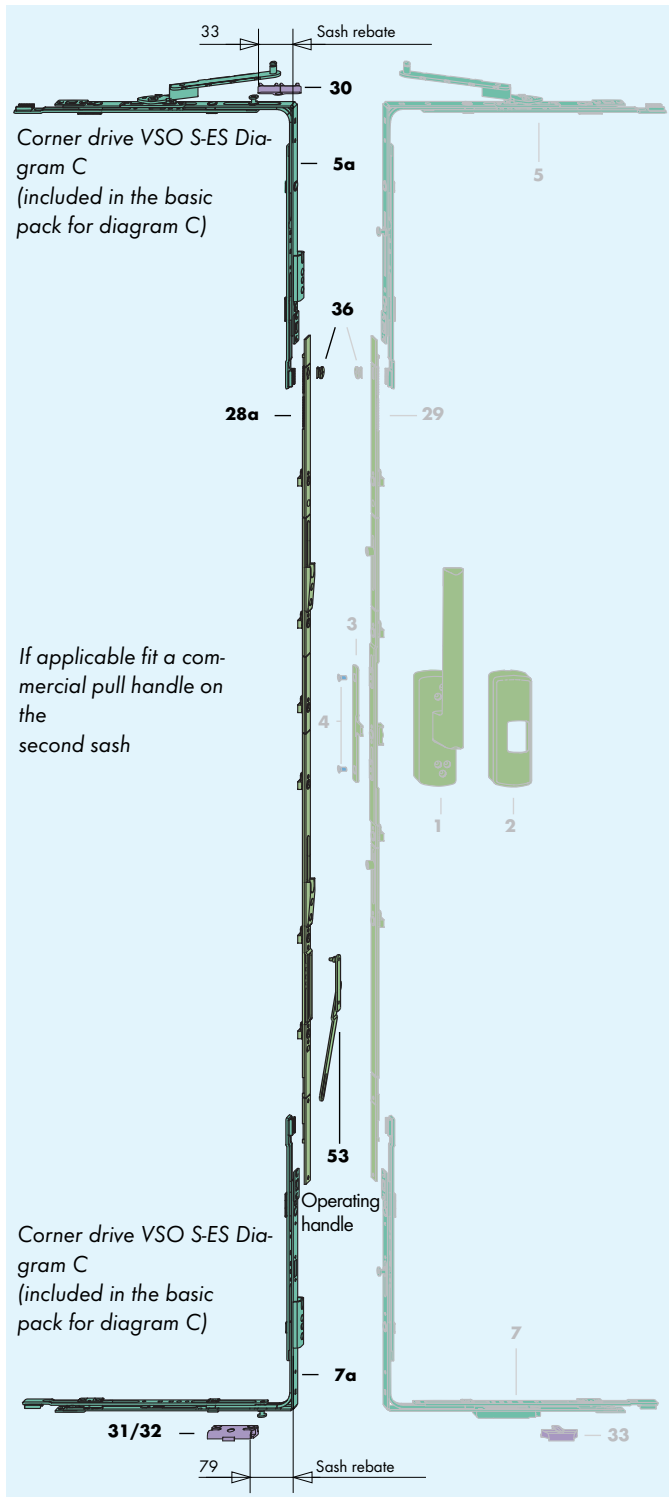
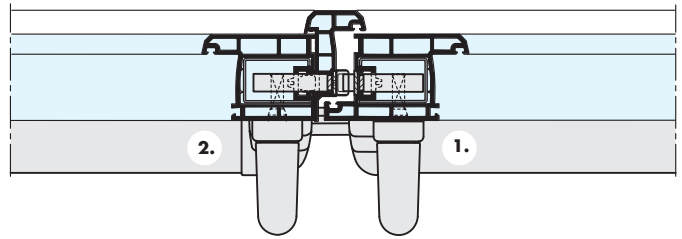




Diagram C, Variant 2b
with opposing hardware groove and
Gear set PZ-30, PZ-40 or PZ-45
in the first and second sash

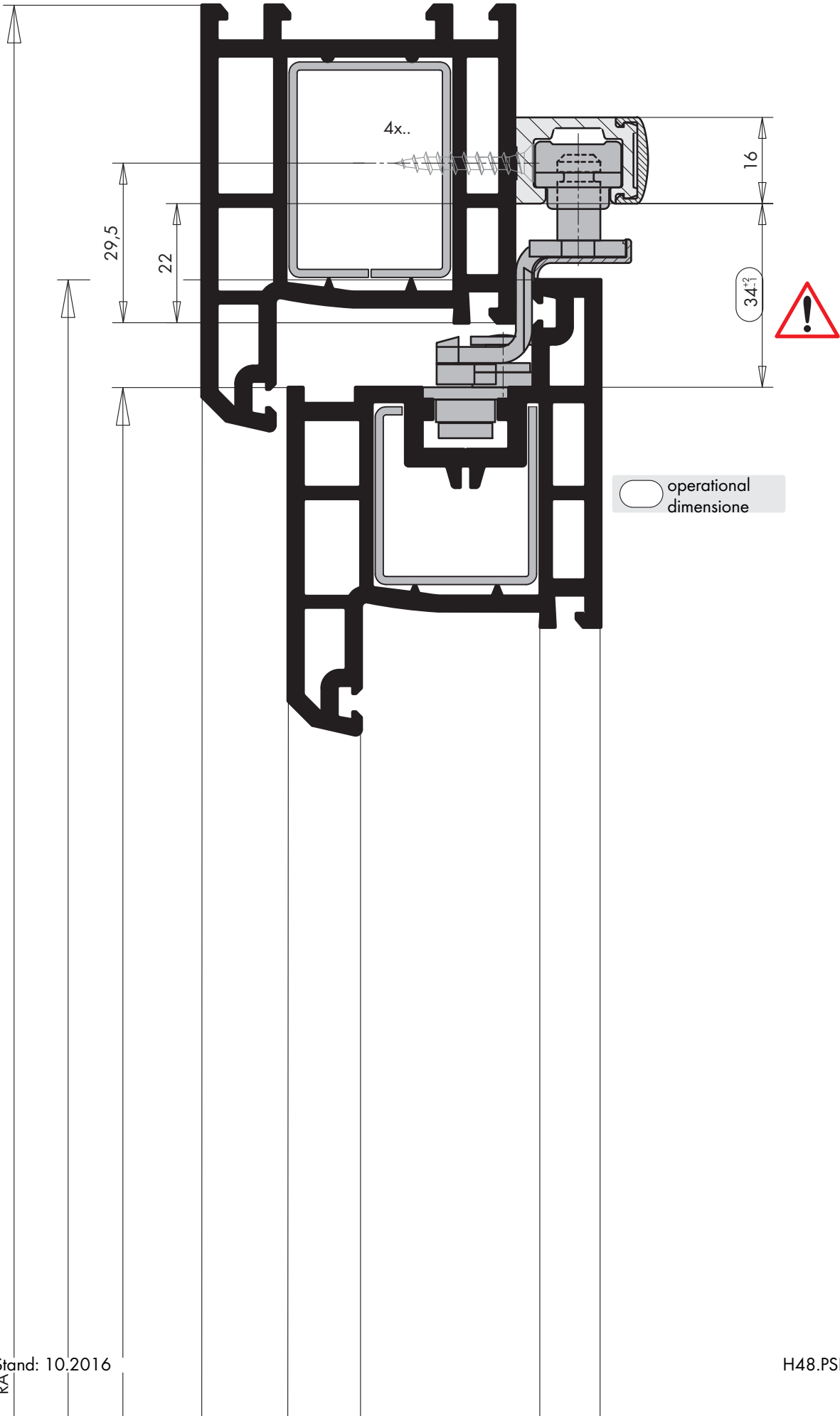


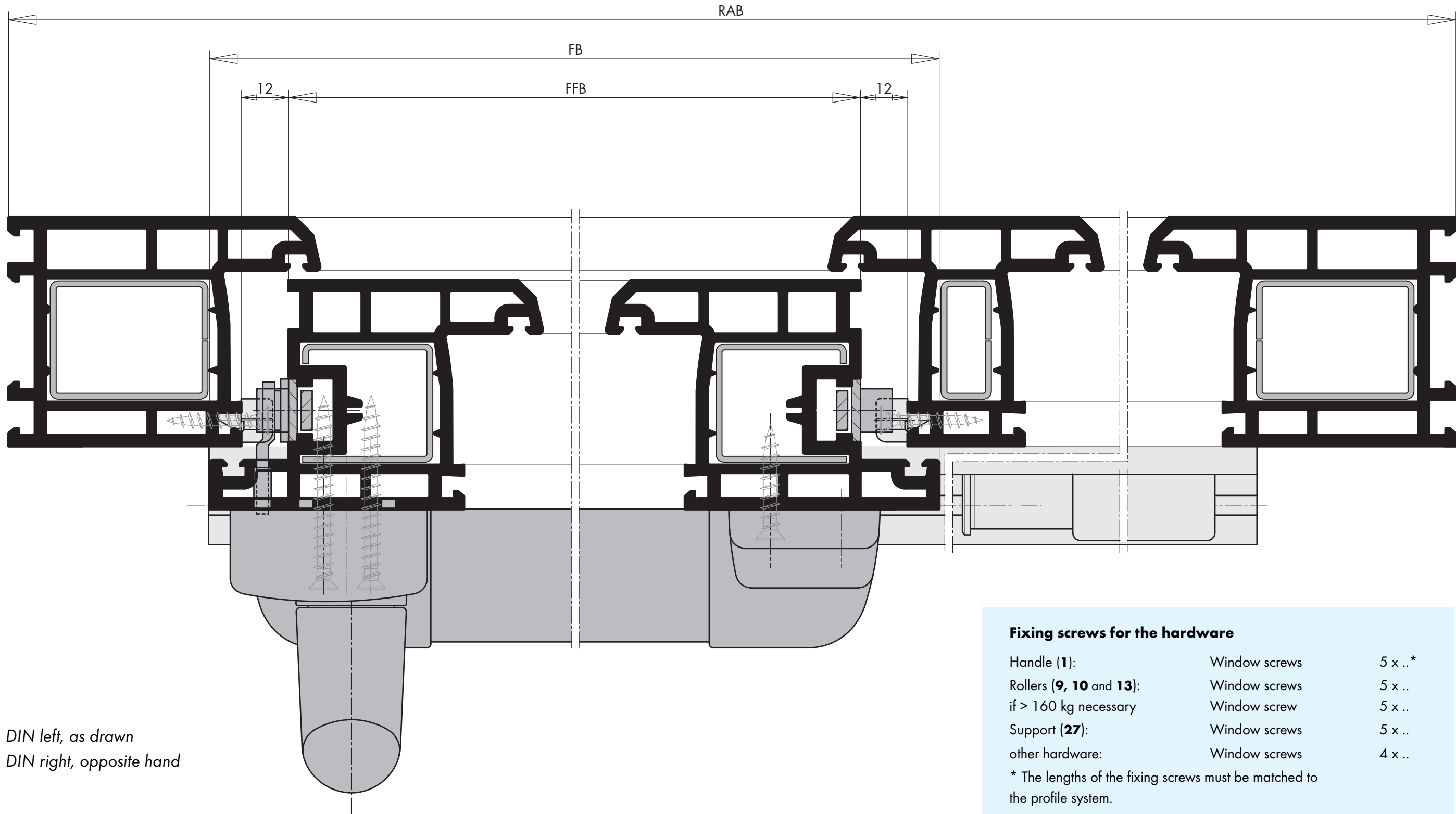
PSK PORTAL 200-Z PLUS Hardware list Diagram C

Item	Pce. Variant			Materialshorttext	 	Materialnumber												
	1	2a	2b			si-silver	RAL 9003 white	RAL 8022 brown										
1, 2	2	1	-	Handle pack PSK 200/GH consisting: see page 3	right hand left hand		296257 296301	296271 296325	297797 297803									
53	-	1	-	Operating handle			PHZL0010-100010											
40..42	-	-	2	Handel pack Si-line HSK-250			PMHC0010-524010	PMHC0010-502010	PMHC0010-512010									
45	-	-	4	Sleeve nut <i>is inserted into the hole in the gear box</i>			800287											
50	-	-	4	Countersunk screw M5x40			211076											
5.8	1	1	1	Pack PSK 200-Z 9NA S-ES 9 mm groove axis	right hand left hand	(Mushroom locking cam)	4	PMEL0041-100010 PMEL0042-100010										
				Pack PSK 200-Z 9NA S-RS 9 mm groove axis	right hand left hand	(Comfort mushroom locking cam)		PMEL0021-100010 PMEL0022-100010										
				Pack PSK 200-Z 13NA S-ES 13 mm groove axis	right hand left hand	(Mushroom locking cam)		PMEL0031-100010 PMEL0032-100010										
				Pack PSK 200-Z 13NA S-RS 13 mm groove axis	right hand left hand	(Comfort mushroom locking cam)		PMEL0011-100010 PMEL0012-100010										
5a.8a	1	1	1	Pack PSK 200-Z 9NA S-ES 9 mm groove axis Diagram C	right hand left hand	(Mushroom locking cam)	4	PMEL0081-100010 PMEL0082-100010										
				Pack PSK 200-Z 9NA S-RS 9 mm groove axis Diagram C	right hand left hand	(Comfort mushroom locking cam)		PMEL0061-100010 PMEL0062-100010										
				Pack PSK 200-Z 13NA S-ES 13 mm groove axis Diagram C	right hand left hand	(Mushroom locking cam)		PMEL0071-100010 PMEL0072-100010										
				Pack PSK 200-Z 13NA S-RS 13 mm groove axis Diagram C	right hand left hand	(Comfort mushroom locking cam)		PMEL0051-100010 PMEL0052-100010										
9.12	1	1	1	Boogie wheel - carton PSK PLUS	right hand left hand		PMKJ0031-100010 PMKJ0032-100010											
13	0...4 0...4	0...4 0...4	0...4 0...4	Roller M PSK PLUS	right hand left hand	centre centre	2 x on sash weight > 160kg ¹⁾ 2 x on sash weight > 160kg											
14.27	2 ²⁾	2 ¹⁾	2 ¹⁾	Profile set PSK PLUS	Size ³⁾	FFB (in mm)	RAB (in mm)	4	PMPJ0100-525010 PMPJ0110-525010 PMPJ0120-525010 PMPJ0130-525010 PMPJ0140-525010	PMPJ0100-502010 PMPJ0110-502010 PMPJ0120-502010 PMPJ0130-502010 PMPJ0140-502010	PMPJ0100-512010 PMPJ0110-512010 PMPJ0120-512010 PMPJ0130-512010 PMPJ0140-512010							
				87/200	770 to 870	to 2000												
				107/240	871 to 1070	2001 to 2400												
				130/286	1071 to 1300	2401 to 2860												
				160/346	1301 to 1600	2861 to 3460												
200/426	1601 to 1920	3461 to 4260																
consisting: see page 3																		
28	4	4	4	Linkage S-ES (with mushroom locking cams)	Size	FFB (in mm)	1	713839 713846 713853 713860 713877 713884										
				100	770 to 1000													
				123	1001 to 1230													
				146	1231 to 1460													
				169	1461 to 1690													
				192	1691 to 1920													
215	1921 to 2000																	
(Linkages with standard or comfort mushroom locking cam - see Page 4)																		
29	4	3	-	Gear OS S-ES (with mushroom locking cams)	Size	Handle location (in mm)	FFH (in mm)	1	713761 713778 713785 713792 713808									
				146	590	1231 to 1460												
				169	690	1461 to 1690												
				192	990	1691 to 1920												
				215	990	1921 to 2150												
				238	990	2151 to 2360												
				(Drive Gear OS with standard or comfort mushroom locking cam - see Page 4)														
				28	-	-	3			Linkage S-ES (with mushroom locking cams)	Size	Handle location (in mm)	FFB (in mm)	-	713877 713884 713891			
										169/2	690	1461 to 1690						
										192	990	1691 to 1920						
215	990	1921 to 2000																
238	990	2151 to 2360																
(Striker plates only required for 2 linkages)																		
28a	-	1	1	Linkage Diagram C (with standard locking cams)	Size	Handle location (in mm)	FFH (in mm)	-	PZKL0250-100010 716366 716373 716380									
				169/2	690	1460 to 1690												
				192	990	1691 to 1920												
				215	990	1921 to 2150												
				238	990	2151 to 2360												
				Linkage Diagram C S-ES (with mushroom locking cams)	Size	Handle location (in mm)	FFH (in mm)			-	PZKL0010-100010 PZKL0020-100010 PZKL0030-100010							
				169/2	690	1460 to 1690												
				192	990	1691 to 1920												
				215	990	1921 to 2150												
				Linkage Schema C S-RS (with comfort mushroom locking cams)	Size	Handle location (in mm)	FFH (in mm)			-	PZKL0350-100010 PZKL0360-100010 PZKL0370-100010 PZKL0380-100010							
				169/2	690	1460 to 1690												
				192	990	1691 to 1920												
215	990	1921 to 2150																
238	990	9902151 to 2360																
51,52	-	-	2	Gear-set PSK 200-Z consisting: see page 7	PZ-30 PZ-40 PZ-45 PZ-50			716335 716342 716359 720691										
30	18..22	14..18	14..18	Striker plate S6 (for standard locking cams)	A...			see Profile Data Sheet										
				Striker plate S-ES (for mushroom cams)	A...			see Profile Data Sheet										
				Striker plate S-RS (for comfort mushroom locking cam)	A...			see Profile Data Sheet										
				bag of frame parts⁴⁾ consisting: see page 4	A...			see Profile Data Sheet										

- 1) Required with sash weight of > 160 kg, a minimum sash width of > 935 mm is required with this
- 2) Symmetrical construction, point of separation must lie between the sliding points
- 3) For precise definition of the required size, determine the dimensions of FFB and RAB
- 4) For the PSK PORTAL Diagram C element DIN Right, use bag of frame parts in Design A... RHT (right); for PSK PORTAL Diagram C Element DIN Left, use bag of frame parts in Design A... LFT (left).

PSK PORTAL 200-Z PLUS Vertical section, top





DIN left, as drawn
DIN right, opposite hand

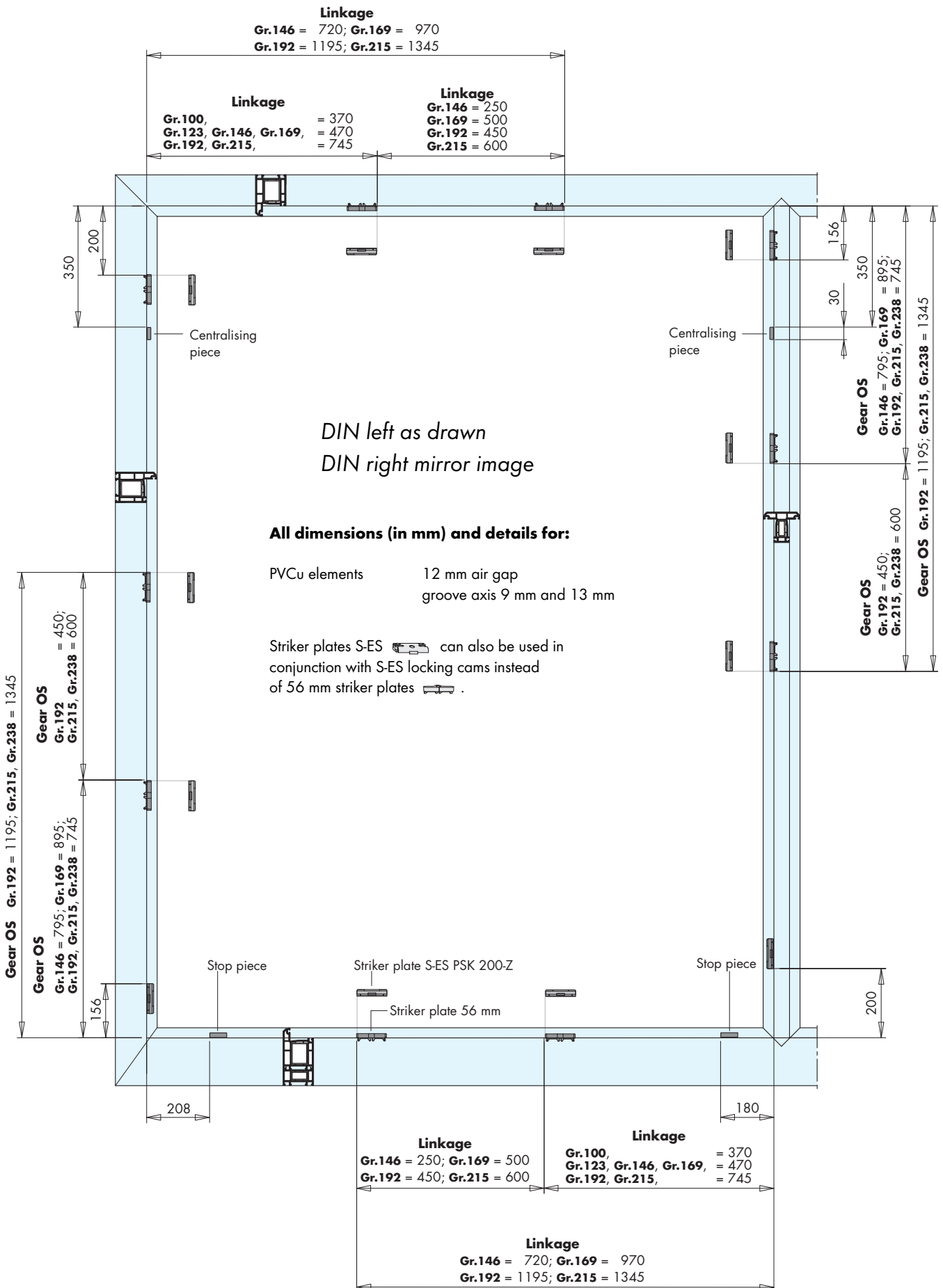
Fixing screws for the hardware

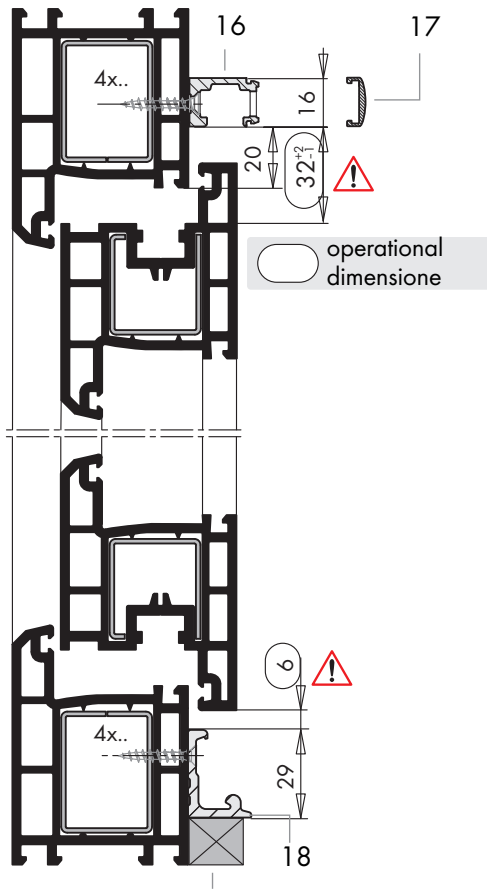
Handle (1):	Window screws	5 x .. *
Rollers (9, 10 and 13):	Window screws	5 x ..
if > 160 kg necessary	Window screw	5 x ..
Support (27):	Window screws	5 x ..
other hardware:	Window screws	4 x ..

* The lengths of the fixing screws must be matched to the profile system.

Note: The screws for load bearing components such as rollers (9, 10 and 13), guiding rail (17) and running rail (18) must all be fixed into the reinforcement profile.

Window screws for PVCu windows, steel transparent





Fit the lining for the running rail when assembling the hardware!

Assembly of running and guiding rails

- A** Cut guiding rail (16) and running rail (18) to length.
- B** Position both parts in accordance with dimensions alongside and secure.
- Attention:** functional dimensions **Dimensions must be adhered to**, otherwise there is a risk of **danger to the user** and/or risk of the element being damaged.
- C** Cut cover rail F (17) to length and clip on.
- D** Line the running rail (18) fully (see also Page 16).

E Position locking part (26) and screw it tightly down with 4 mm A/F hexagon screwdriver (Torque 4 - 4.5 Nm).

Over rebate width	Dimension R ¹⁾
18	59
19	58
20	57
21	56
22	55

1) Note: If the 17 mm dimension on Page 19 increases or decreases, dimension R will increase or decrease correspondingly.

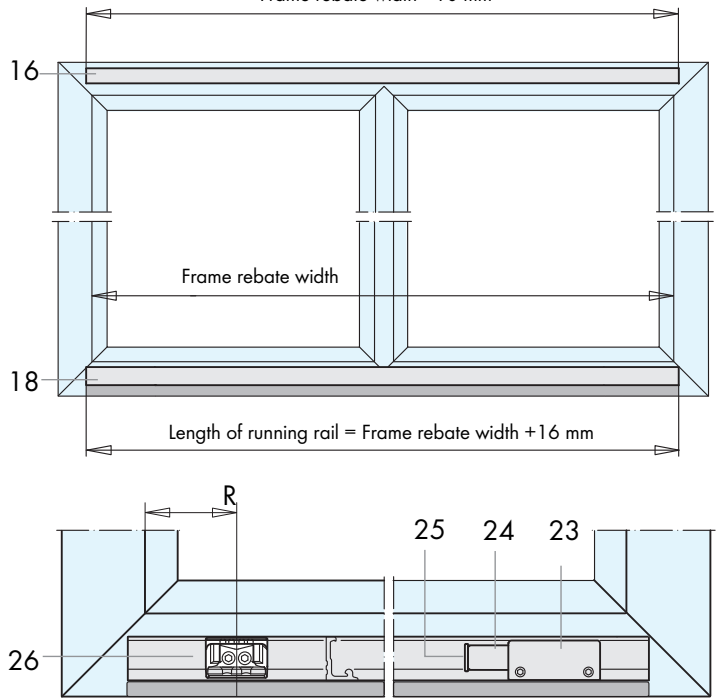
F Push the stop (24) and closing cap (25) into the stop block (23) dependent on the sliding direction - DIN left or DIN right.

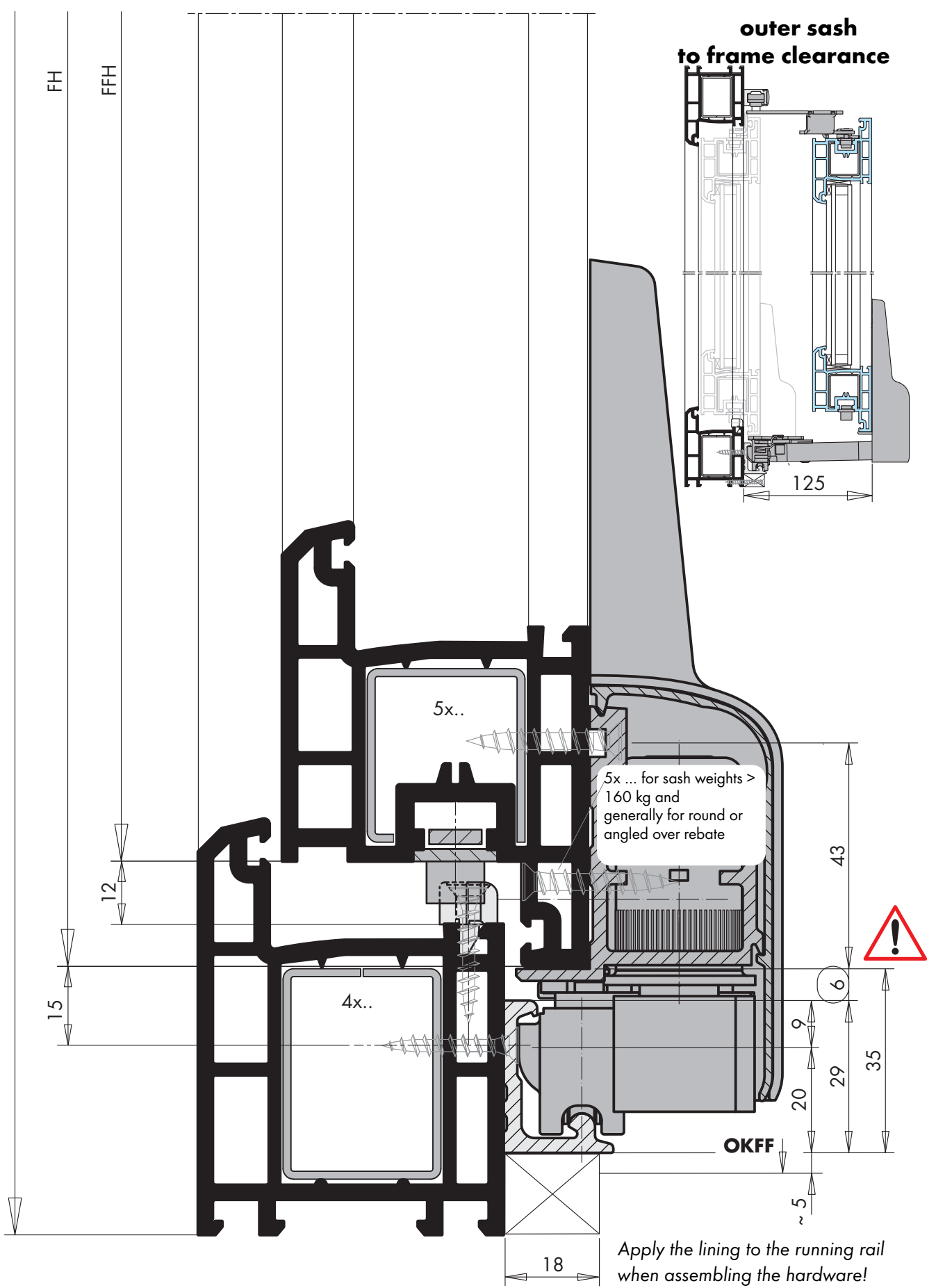
G Push stop block (23) onto running rail (18) and screw it on lightly.

Note: Only screw the stop block (23) down tightly after first inserting the sliding sash (see Page 20).

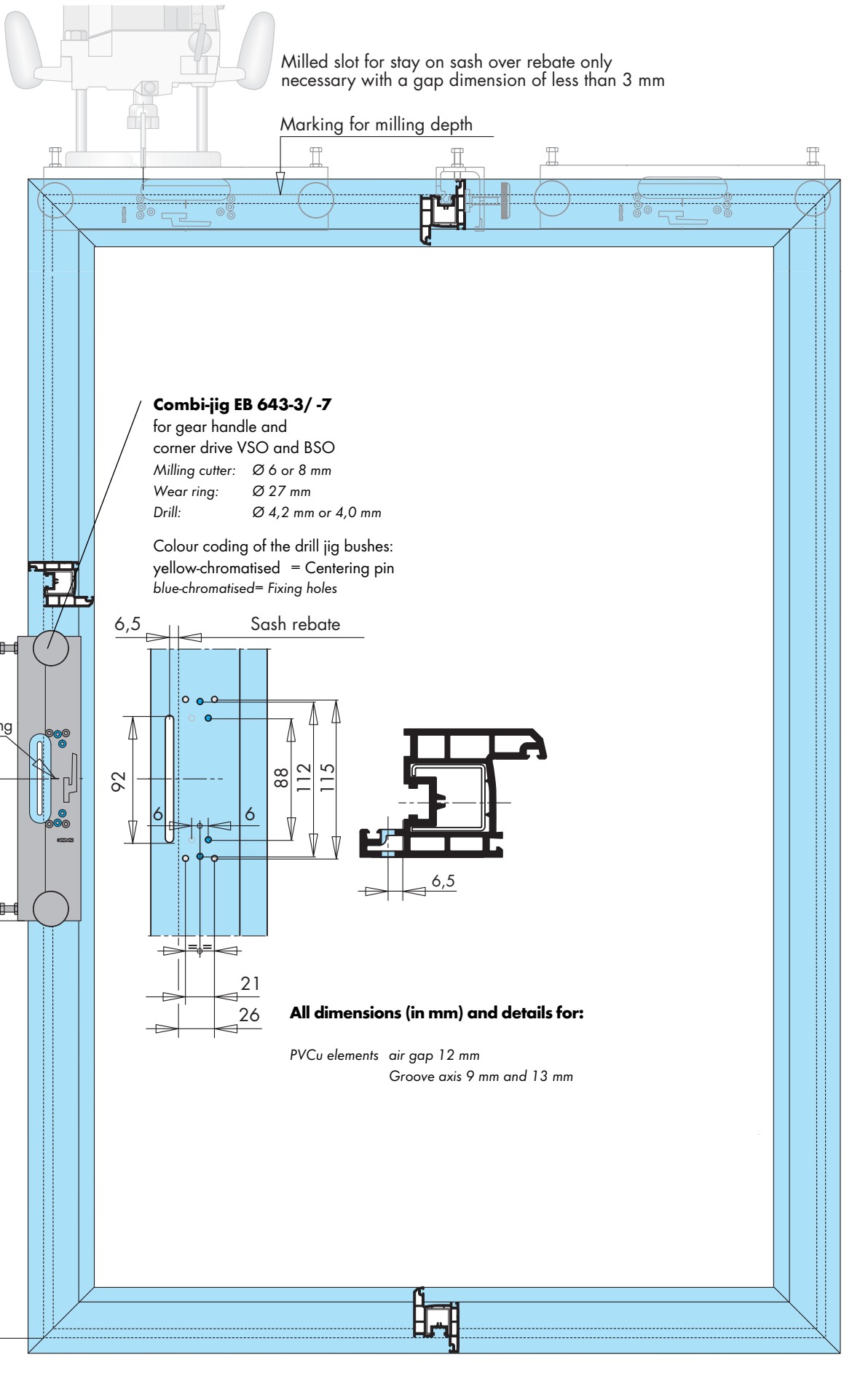
Size with 8 mm overlap of the sash on the frame corresponds to „flush with the outer edge of the sash“.

Length of guiding rail and cover rail F
= Frame rebate width + 10 mm





PSK PORTAL 200-Z PLUS Preparing the sash frame

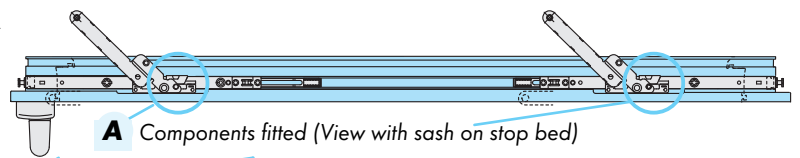
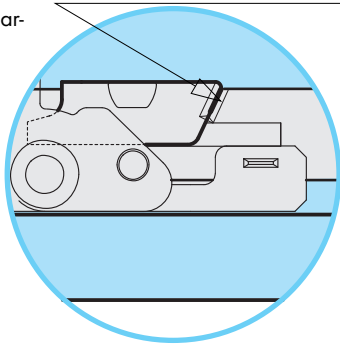


Handle location Gr. 123 = 490; Gr. 146 = 590
 Gr. 169 = 690 (590); Gr. 192 = 990 (890)
 Gr. 215 = 990 (890); Gr. 238 = 990 (890)

PSK PORTAL 200-Z PLUS Sash frame: Assembly ZV

When coupling the linkage (28) ensure a parallel setting for both stays!
See marking on the slave rail.

Marking on slave rail



A Components fitted (View with sash on stop bed)

Lock position

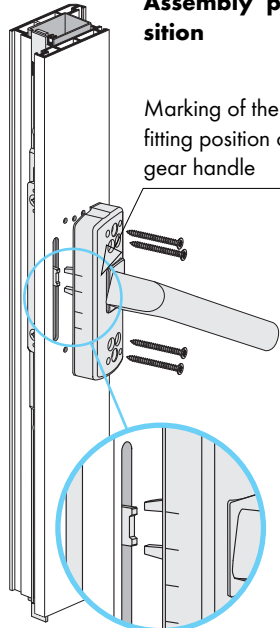
Tilting position

Assembly position

Sliding position

Assembly position

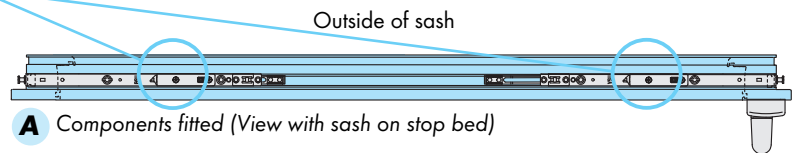
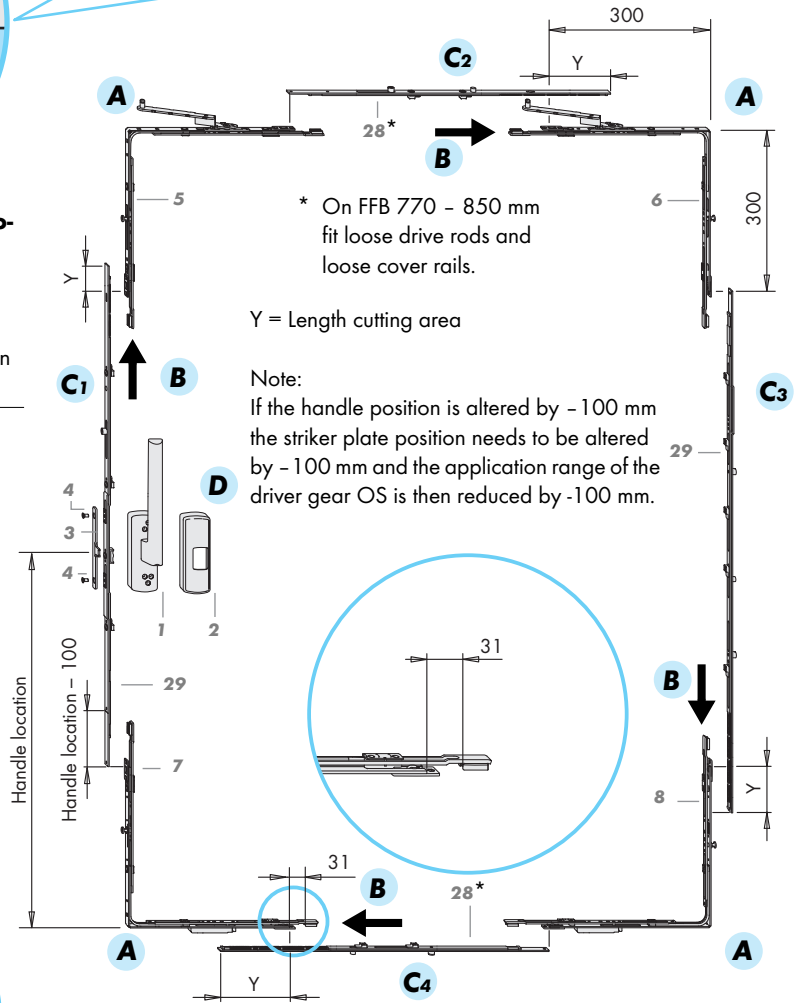
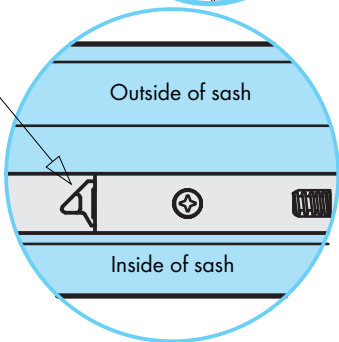
Marking of the fitting position on gear handle



Outside of sash

Inside of sash

Chamfer towards the outside of the sash



A Components fitted (View with sash on stop bed)

Fitting the central lock on the sash frame

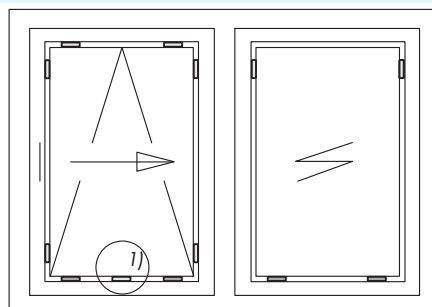
- A** Insert corner drives VSU (7), BSU (8), VSO (5) and BSO (6) into hardware groove, screw it on and push each of the drive rods of the corner drives up to the stop in the assembly position (see arrow, →).
Remove gasket from stay arm area.
- B** Lay the Gear OS (29) and the linkages (28) in hardware groove, mark out and cut to length on one side and assemble in the following order.
Start with gear OS (29) (C1) and the linkage (28) (C2) top and couple the stay arms of VSO (5) and BSO (6) parallel, tighten - note the marking on the stays (see illustration).
Then in any order, insert gear OS (29) (C3) and the linkage (28) (C4) crossways at the bottom and screw on.
- C** Engage coupling bracket (3) on gear OS (29) with the pegs and screw on with countersunk screws M5 x 10 (4)
Insert handle PSK 200-Z/GH Si-line (1) in the assembly position (see illustration) and screw in min. 4 screws 5x50.
Move handle PSK 200-Z/GH Si-line (1) into the locking position, in order to shear off the assembly fixing for the long components.
Clip on the cover cap PSK 200-Z/GH Si-line (2).
Note: For fixing screws see page 13.

Assembly of the rollers

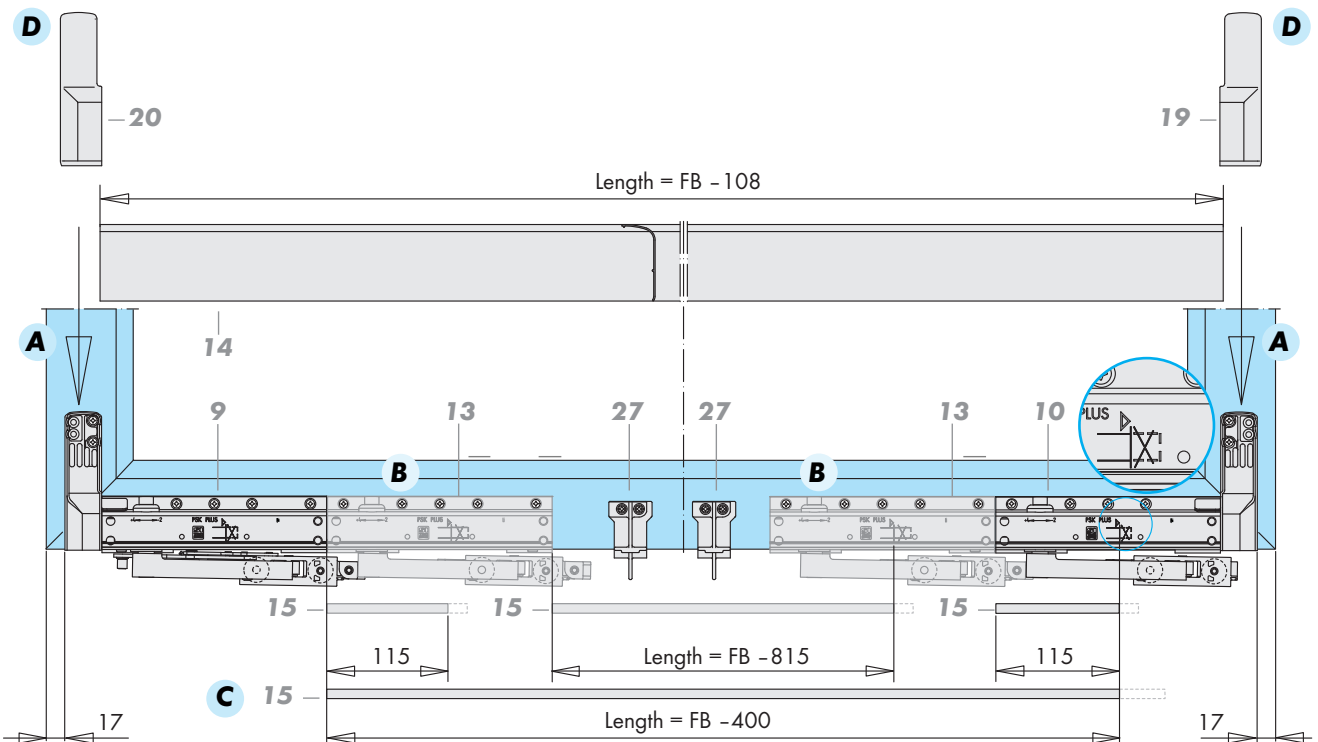
- A** Firmly screw on roller V (9), front and roller H (10), rear.
For sash rebate weight > 160 kg also firmly screw on central roller M PSK PLUS(13) and fit extra fixing screws to all rollers. (see page 16)
- B** Equalize the two supports (27) for cover rail L (14) and screw on.
- C** Place connecting rod (15) on front roller V (9) , mark off to the marking of the rear roller H (10) and cut to length.
For roller M PSK PLUS (13) mark off connecting rod (15) with an additional allowance of 15 mm and cut to length.
Insert connecting rod (15) in rear roller H (10) or central roller M PSK PLUS (13) and clamp tight with a socket head screw - torque of 10 - 11 Nm. For this use 4 mm A/F hexagon socket wrench.
Insert connecting rod (15) in front roller V (9) or central roller M PSK PLUS (13).
Move rear roller H (10) into the locking position. (hold tightly)
Ensure a parallel setting of the rollers V, H or M PSK PLUS (9 and 10 or 13).
Clamp connecting rod (15) firmly in the front roller V (9), also with a socket head screw torque of 10 - 11 Nm.
- D** After inserting the sash frame into the blind frame (see Page 20), engage cover rail L (14) and push on cover caps L (19 and 20).

Note: For fixing screws see page 13.

Block fitting instructions for roller M




1) Fit resilient spacer block (hardness approx. 60-80 Shore) in the area of roller M e.g. Universal block from Gluske C



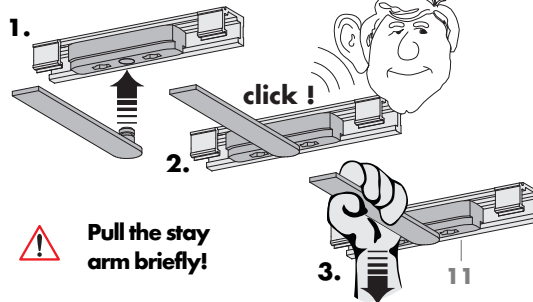
Inserting the sliding sash

- A** Push the two sliders (11) into the guiding rail (16) and fit the side cover caps F (21 and 22).
- B** Switch the sash frame into the sliding position (see Page 18). Engage the sash frame at an angle onto the running rail (18) and engage the coupling bolts of the stay arms in sliders (11).
- C** Fix the stop block (23). For this push the sash into the required final position and screw stop block (23) firmly to a torque of 4 - 4.5 Nm.
- D** Check the operation of all hardware components. If necessary make use of the adjustment possibilities. (4 mm A/F hexagon socket wrench)
- E** Fit cover rail L (14) and cover caps L (19 und 20) as described on Page 19.

 Check that the coupling bolts engage by briefly pulling on the stay arm!

Important information

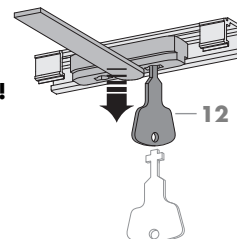
Hang in the stay arms..



 Pull the stay arm briefly!

Hang out the stay arms.

 Only with SIEGENIA-AUBI Key!



adjustment possibilities

If necessary the height of the parallel slide / tilt sash can be adjusted **after fitting the pane of glass**. Set the front (9) centre (13) and rear (10) rollers using an 8 mm A/F hexagon socket wrench. The roller height adjustment is self locking. Locking part (26) can be offset for a central sash entry.

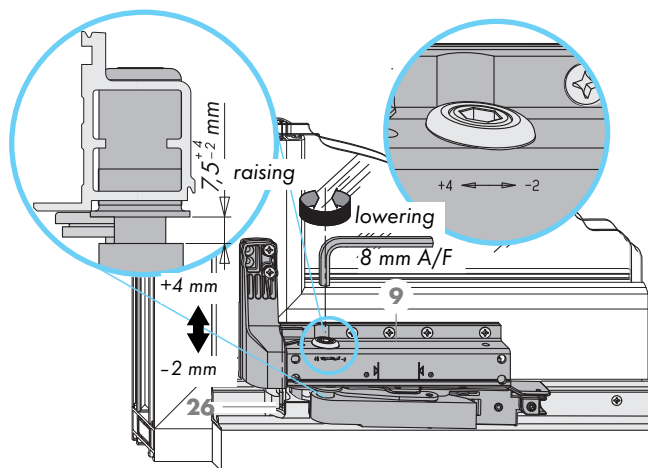


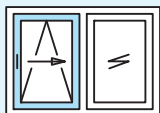
Diagram-overview

DIN left

or

DIN right

Diagram A



1 sliding sash/1 fixed sash

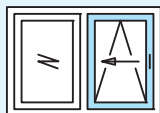
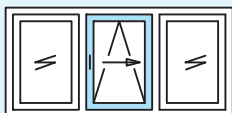
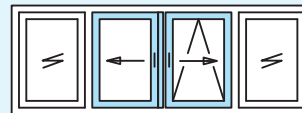


Diagram G



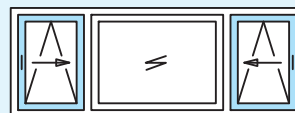
1 sliding sash/2 fixed sashes *

Diagram C



2 sliding sashes/2 fixed sashes *

Diagram K



2 sliding sashes/1 fixed sash

*) Instead of the fixed sashes, turn sashes are also possible. Turn sashes only with Rose Si-line internal and **removable handle** (see Product Catalogue).