

"GIESSE"-

AP001

AP001F

!

200	2500	1300	-20°C/+100°C
-----	------	------	--------------

EN1125.

3400

GIESSE

1500

200

"X",

"Y",

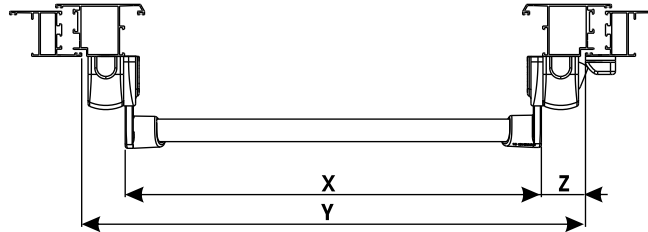
<60%

"Z"

150

y

GS AP001



CE

89/106/CEE

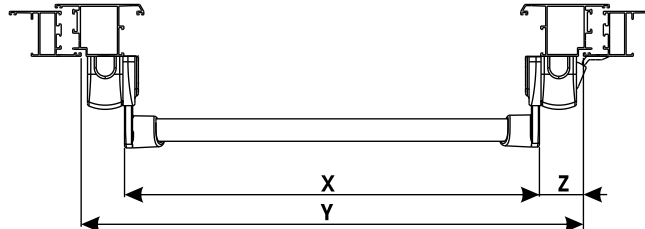
"AP001"

: 0.

	 Via Tubertini, 1 40054 Budrio, Bologna Italy
	0425-1263 05
	EN 1125:1997+A1:2001 3 7 6 0 1 4 2 2 A

The CE Conformity Certificate of GS AP001 and the Declaration of Conformity in comply with the standard EN 1125:1997 are available on the website www.giesse.it

GS AP001 F



CE

89/106/CEE

"AP001 F"

: 1.

	 Via Tubertini, 1 40054 Budrio, Bologna Italy
	0425-1265 05
	EN 1125:1997+A1:2001 3 7 6 1 1 4 2 2 A

The CE Conformity Certificate of GS AP001F and the Declaration of Conformity in comply with the standard EN 1125:1997 are available on the website www.giesse.it

1 -

EN1125

2 - C

3 -

4 -

5 -

6 -

7 -

EN1158,

8 -

9 -

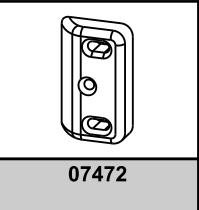
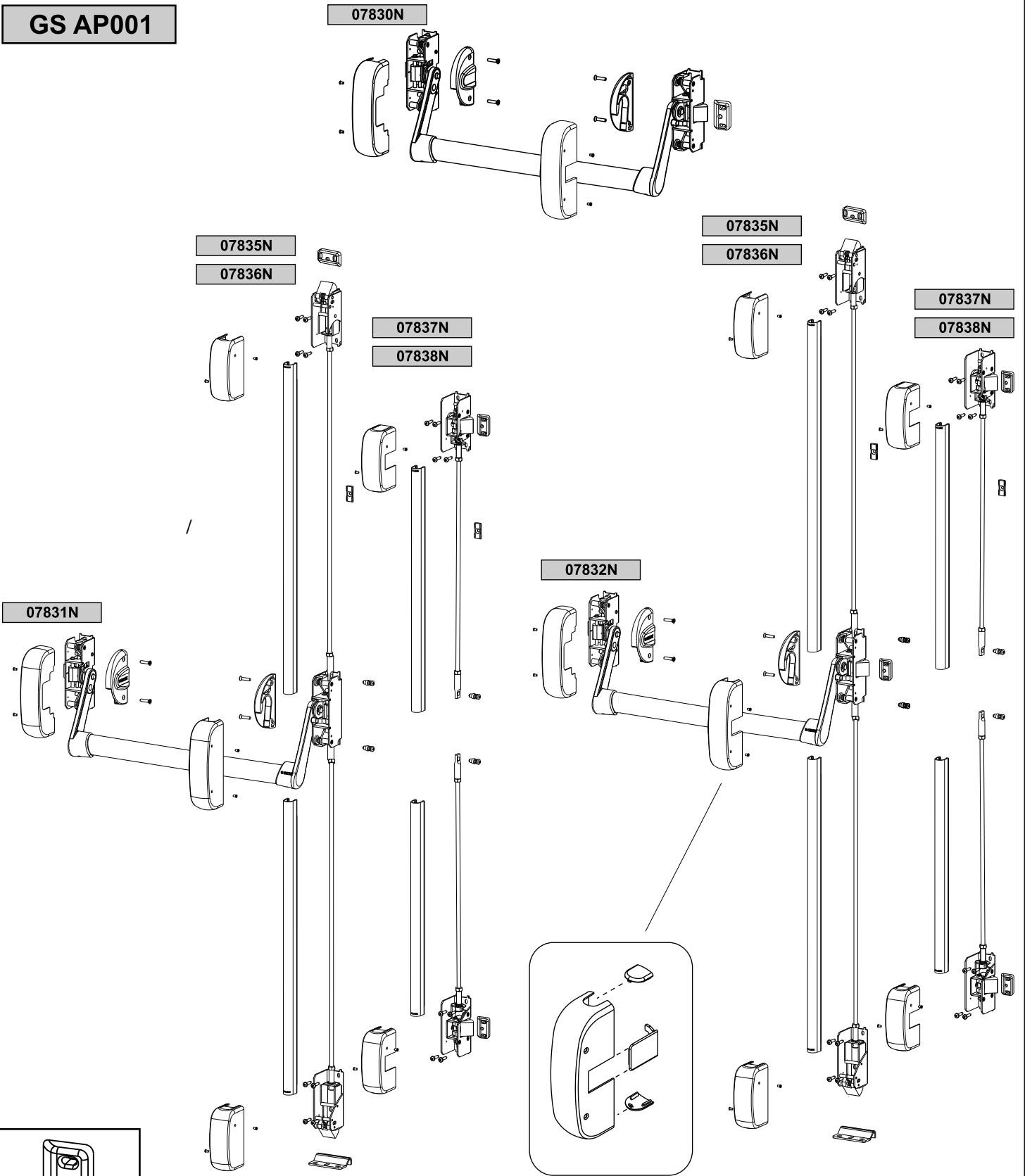
EN1125.

10 -

!

CE,

GS AP001

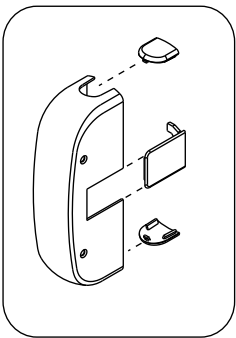
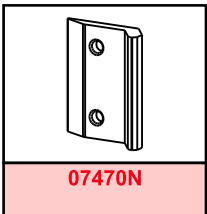
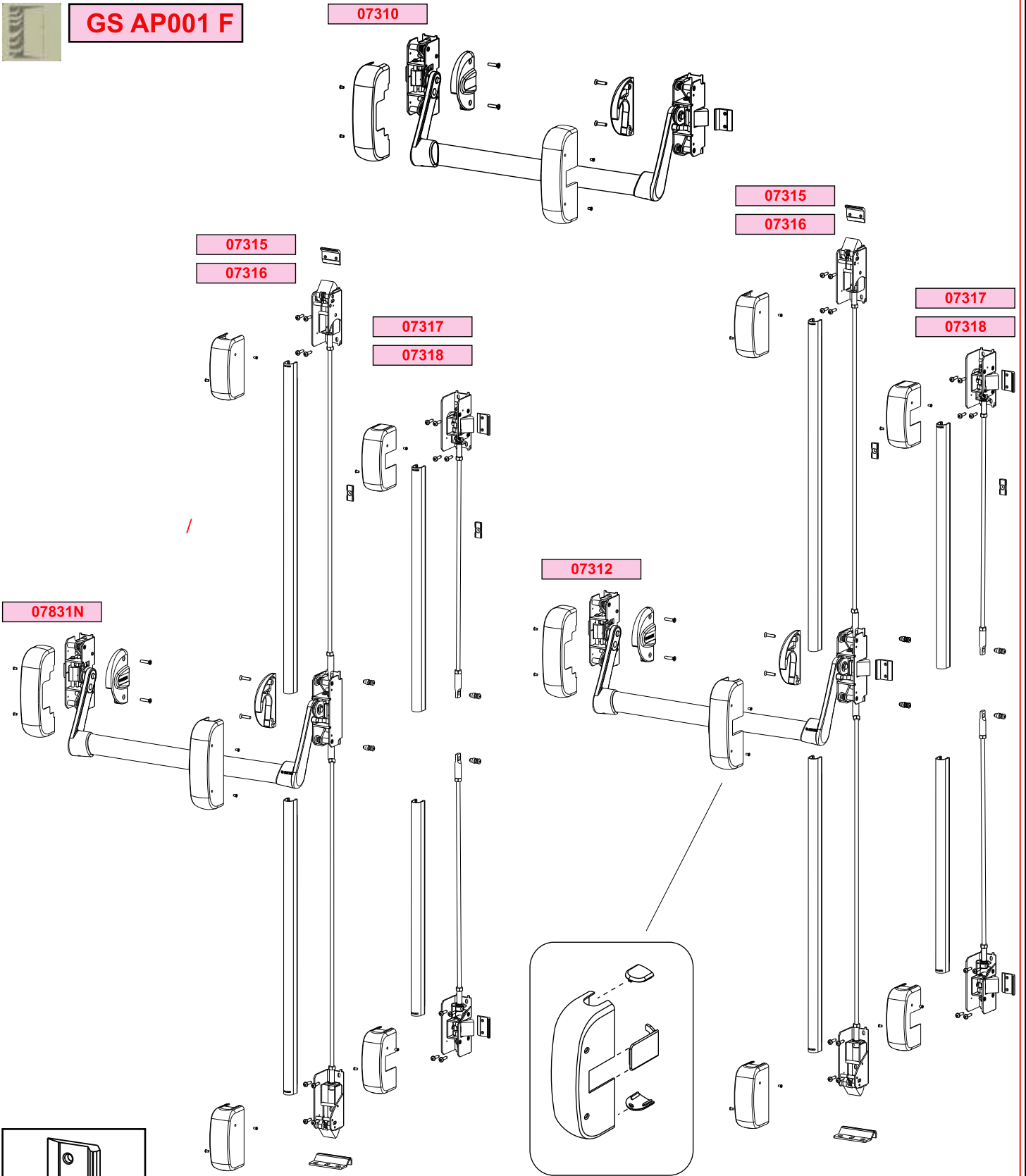


	()
07843	950
07844	1150
07845	1450

07835N		/
07836N		/
07837N		/
07838N		/

07835N		/
07836N		/
07837N		/
07838N		/

GS AP001 F



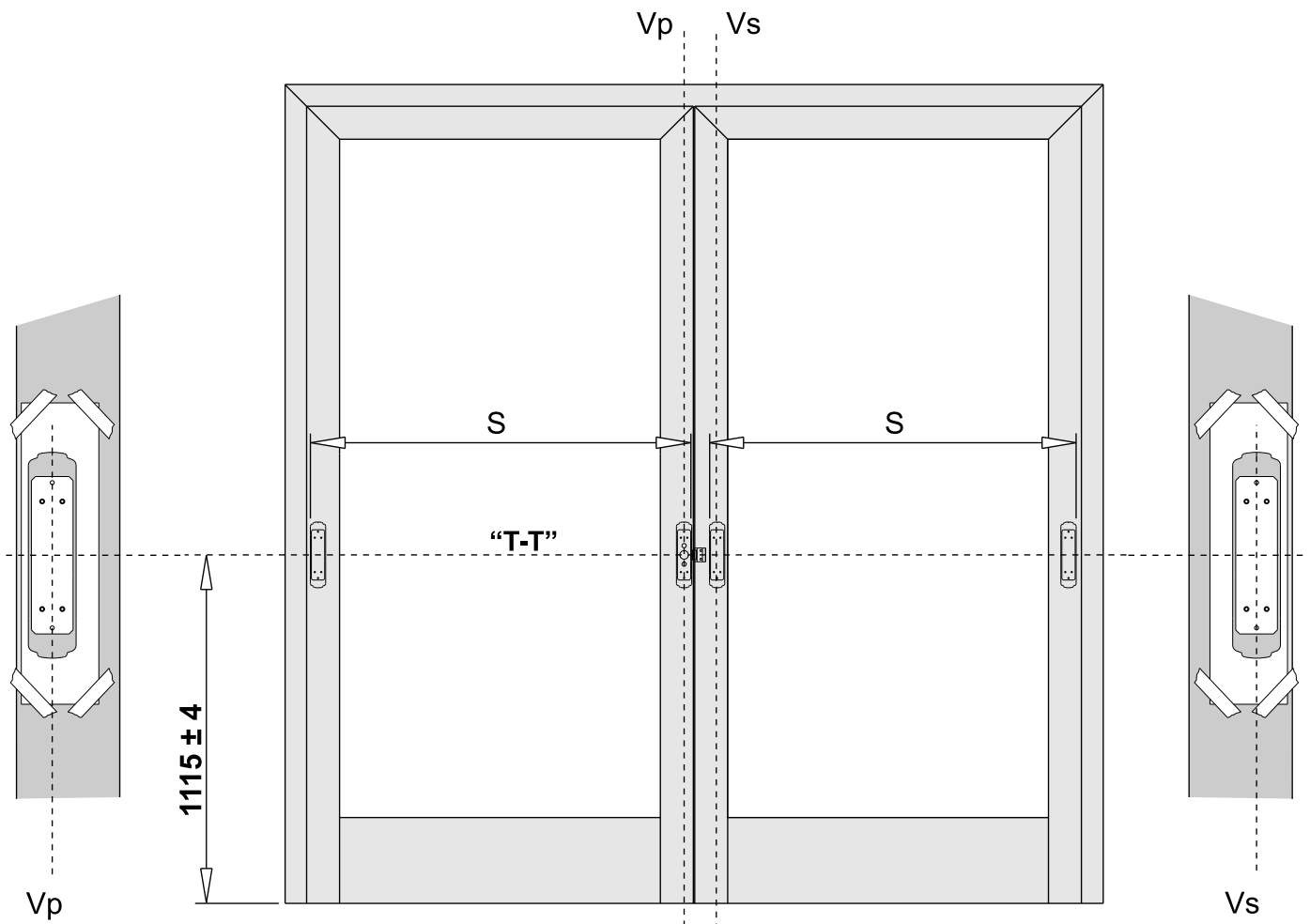
07315	.	/
07316	.	/
07317	.	/
07318	.	/

	()
07843	950
07844	1150
07845	1450

07315	.	/
07316	.	/
07317	.	/
07318	.	/

1) - "T-T" 1115 +/-4
 (. .1). (/ ,)
 2) - "T-T". " - ".
 .8 (.10,11 12,13,14)
 :
) Vp(.5, .1)(.9).
) (. .9) D,
 :
) " - " 51))
)
 51 ()

Fig. 1



3) ; 3) 3) :

3) ; (. .2)

- * (1) 4 Ø3
- * (2) 4 Ø3
- * (1)4 Ø3

- 2 Ø10
- 1 Ø20
- 1 Ø8,5

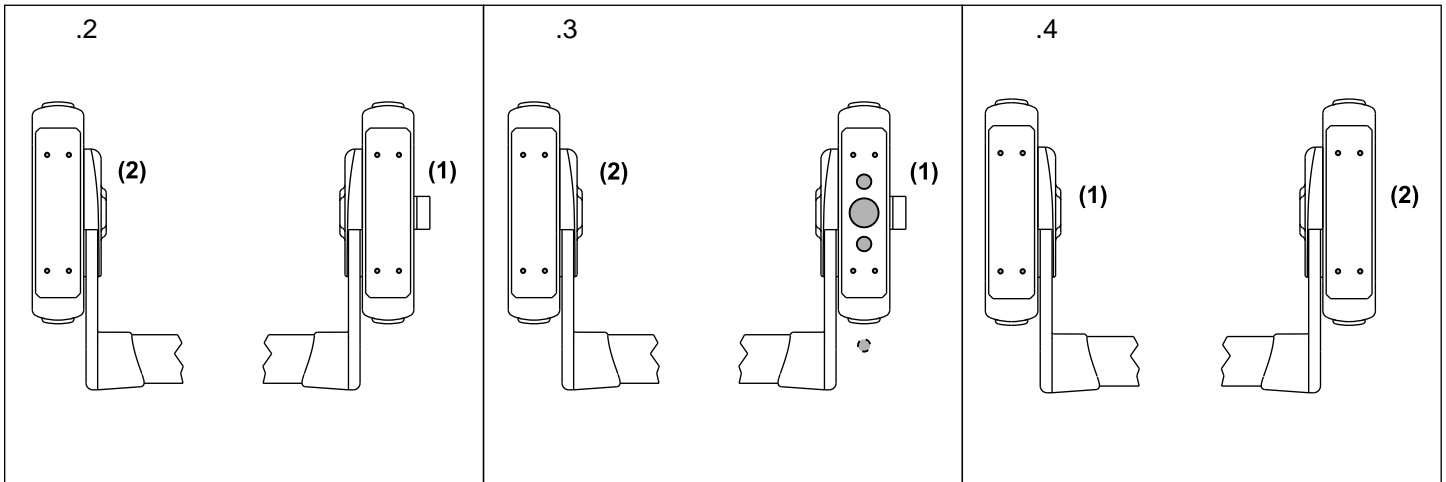
((. .3))
(2) 4 Ø3

3) ; (. .4)

- * (1) 4 Ø3
- * (2) 4 Ø3

!

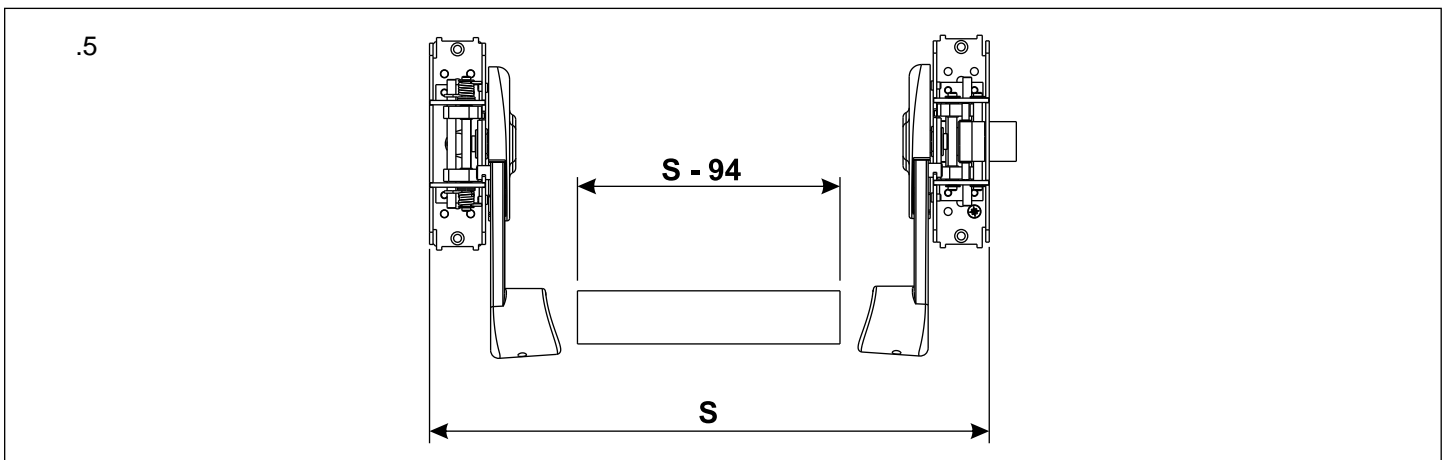
4- !!!



4) "S", : .5

S - 94

!

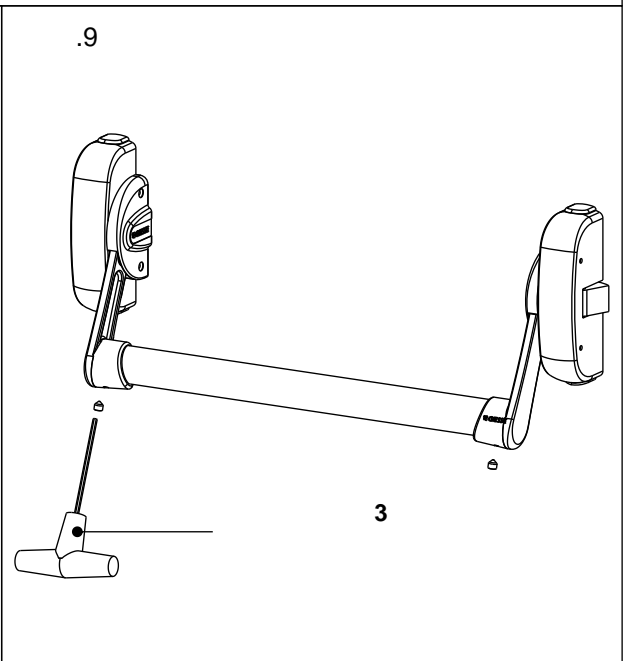
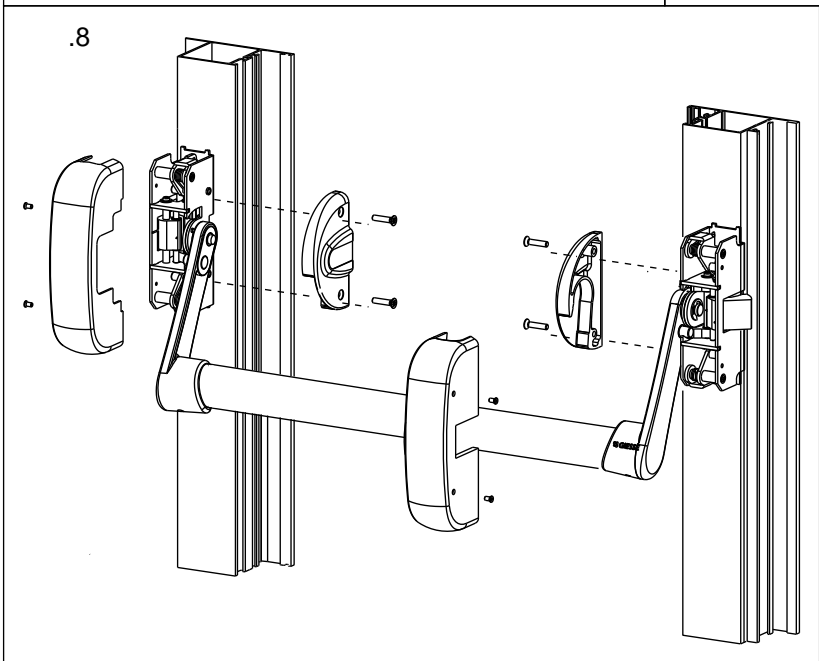
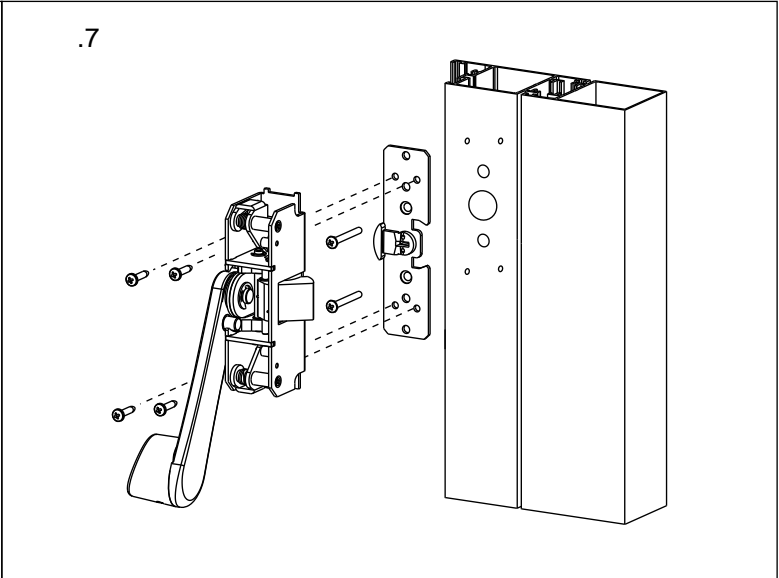
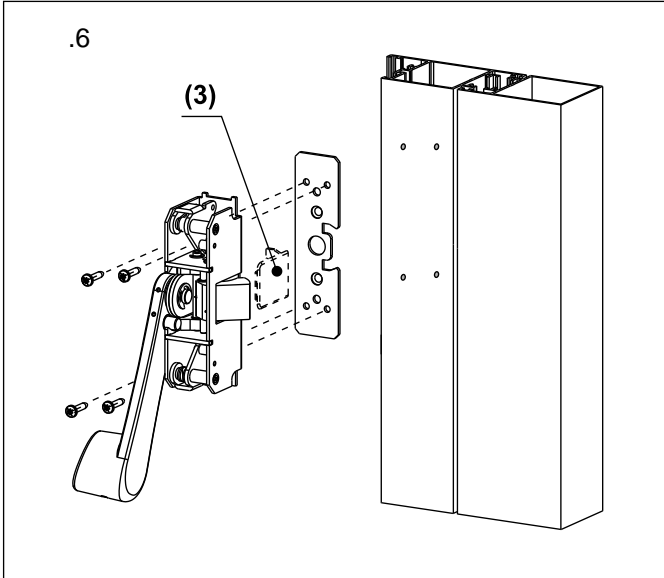


5)) : 4- Ø 3,9,
 .6 (, .6) (3)

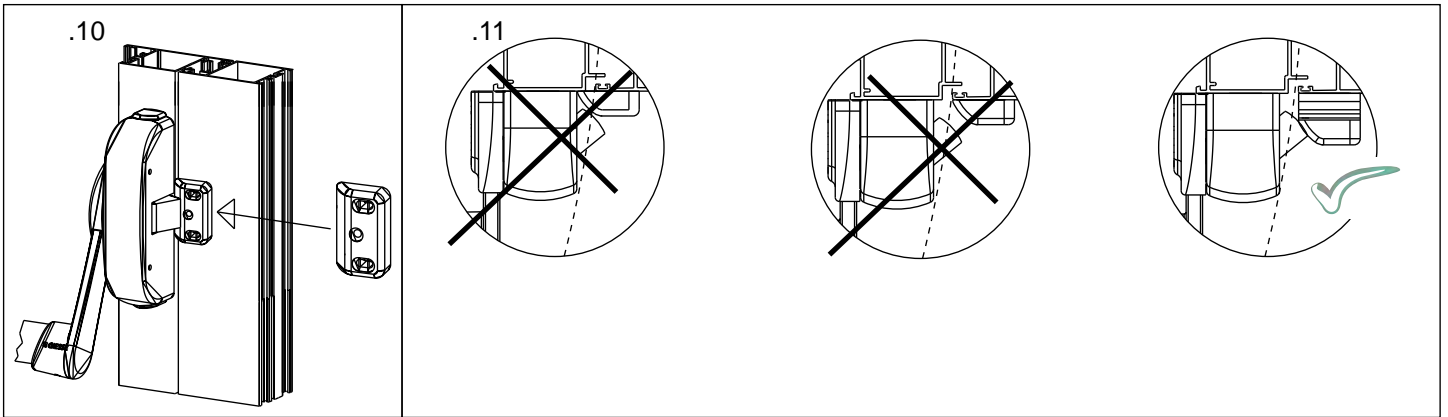


(, .6) (3)

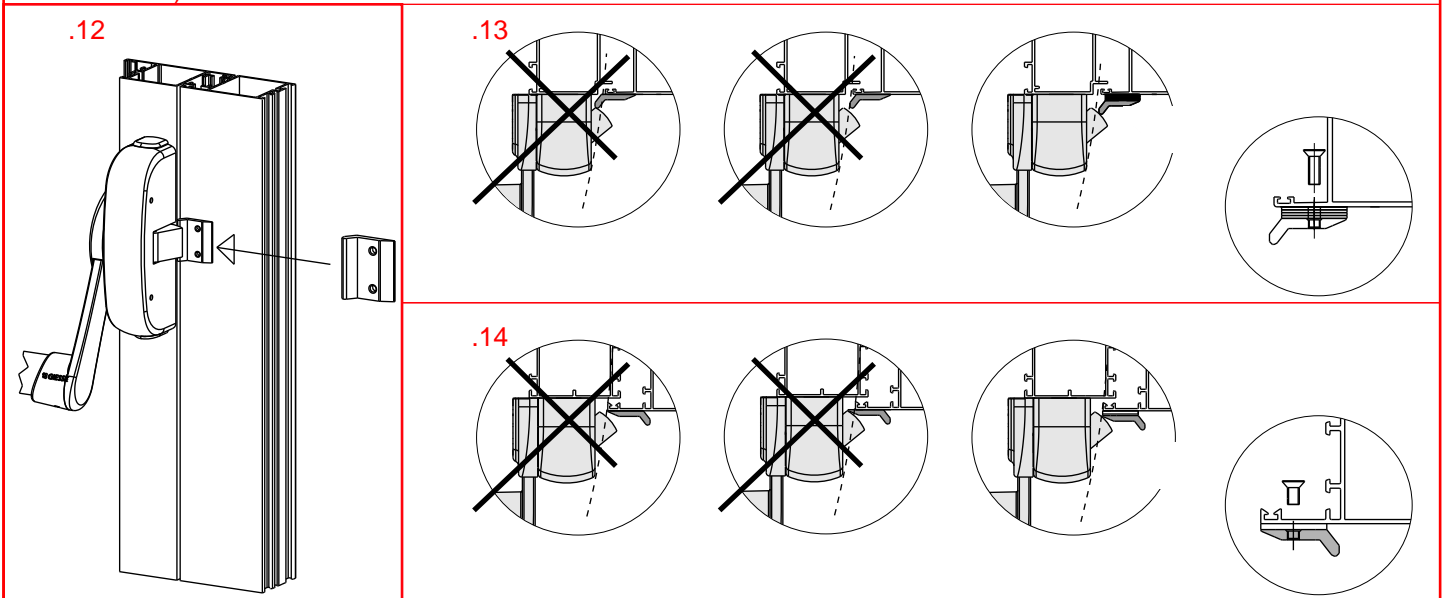
)
)
) 4- Ø 3,9,)
)
) .8
) .8
) (3), .9,
 6)) :
) 5, .7 4-) 3,9, .7
) 5))
)))



7) :
) , .10
) , .11
) 2- 3,9 , 3,2
) 3,9 ,

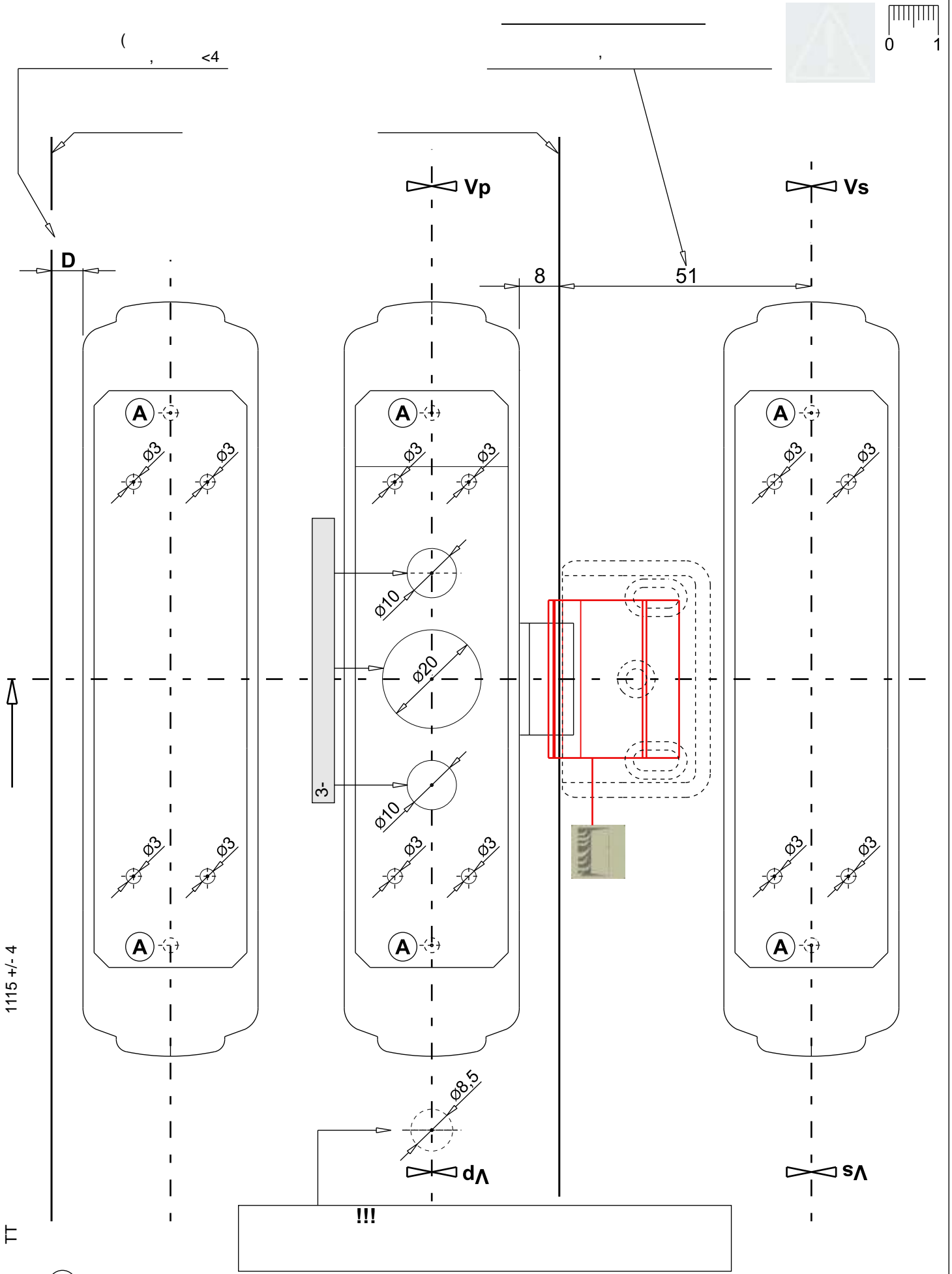


8) :
) , .12
) , .13
) .14 2- 4,2 4,5 4, .13 14



- 1)
- 2)
- 3)
- 4)

.10.



A $\varnothing 3$ -

4-